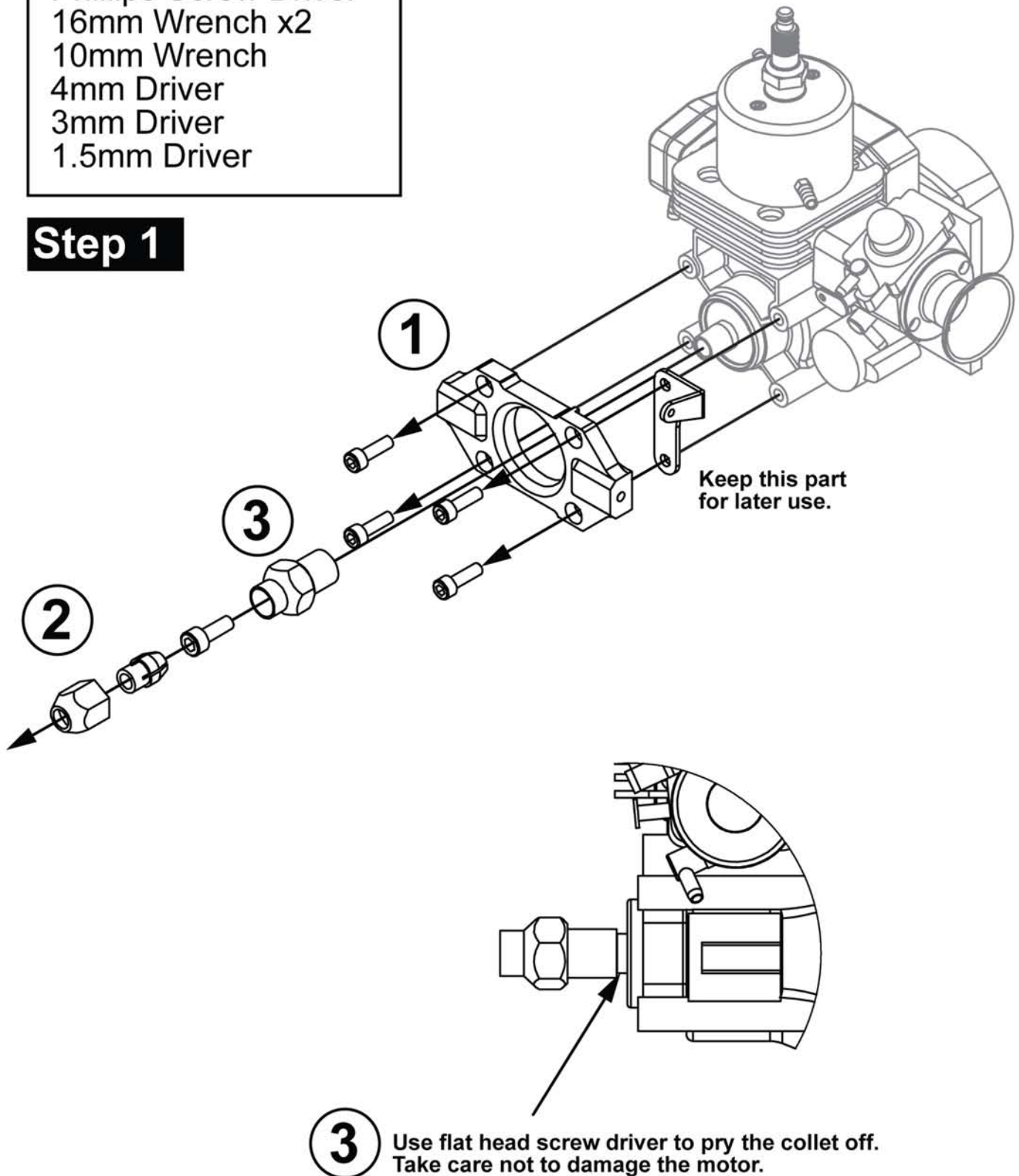


Gas Boat Clutch Assembly

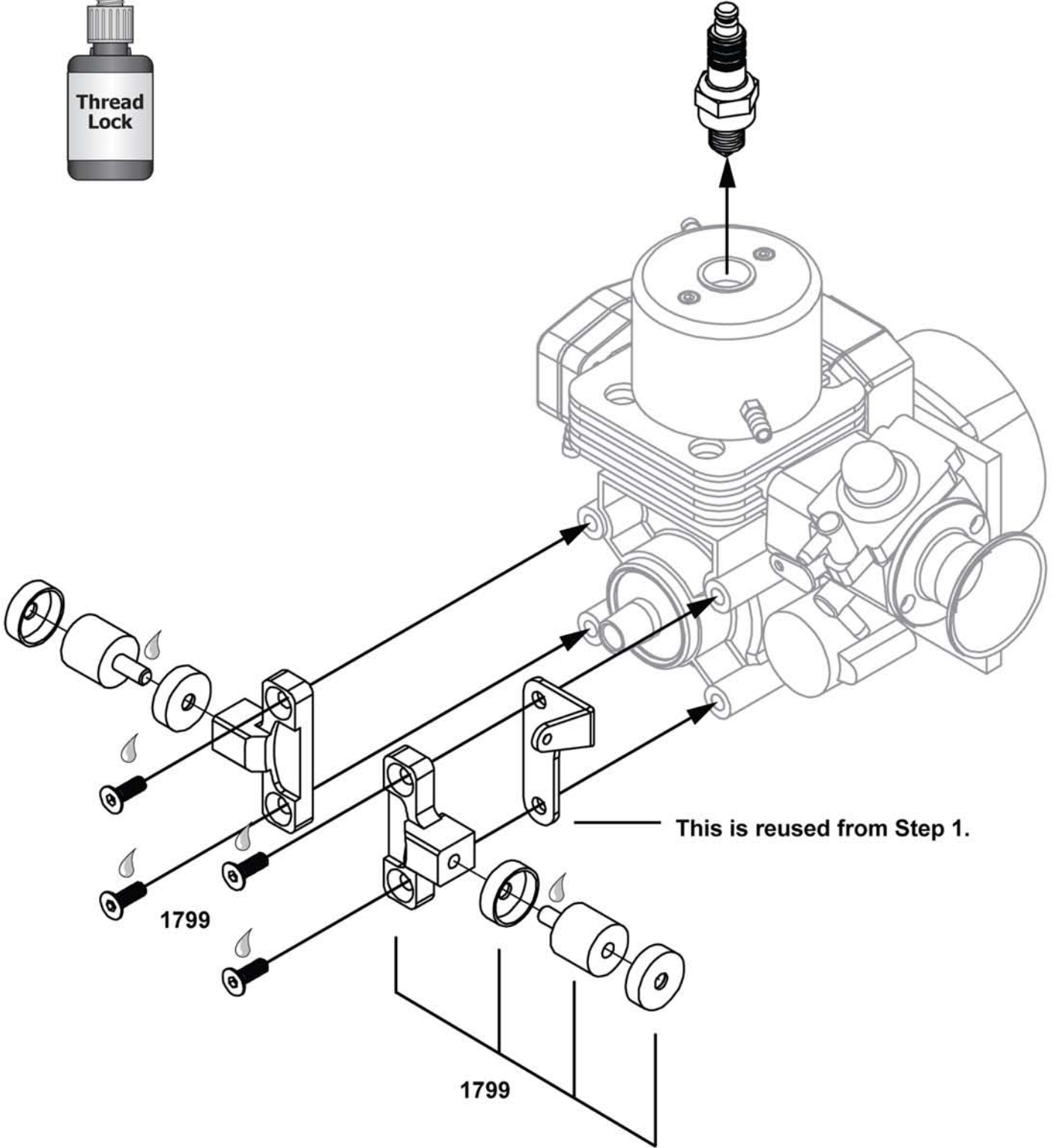
Tools Needed:

Piston Stop
Flat Head Driver
Phillips Screw Driver
16mm Wrench x2
10mm Wrench
4mm Driver
3mm Driver
1.5mm Driver

Step 1



Step 2



Step 3

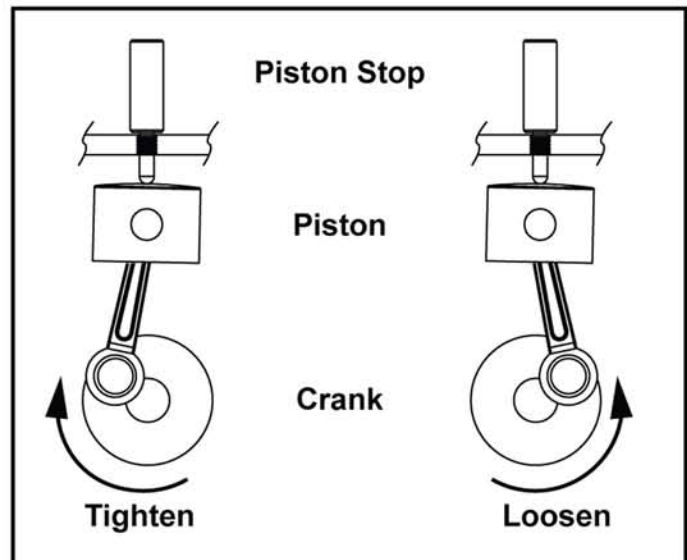
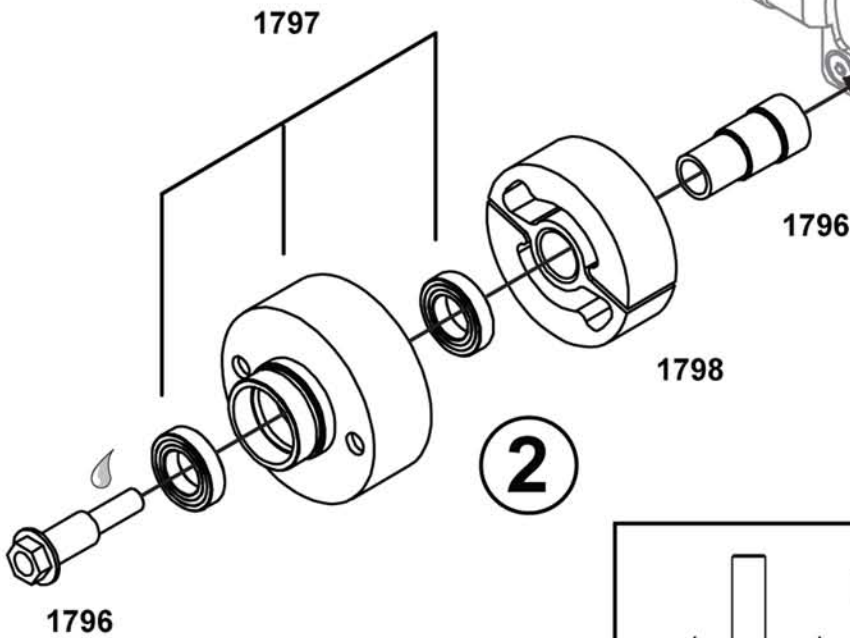


Install Piston Stop

1

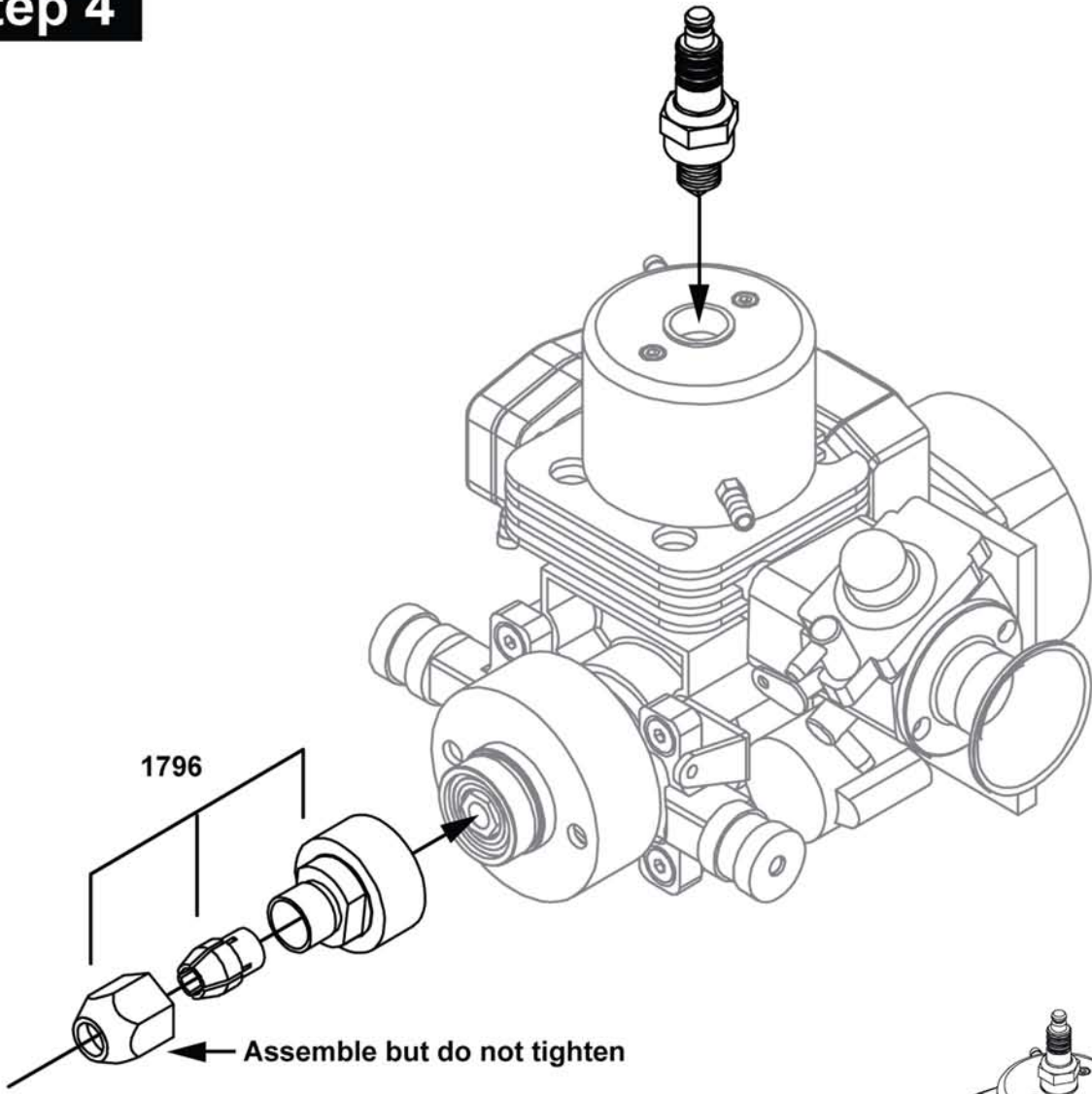
3

Remove Piston Stop



To prevent damage to the pull starter, rotate the crankshaft to align the engaging stroke to the direction you are tuning the wrench.

Step 4



Exploded View

