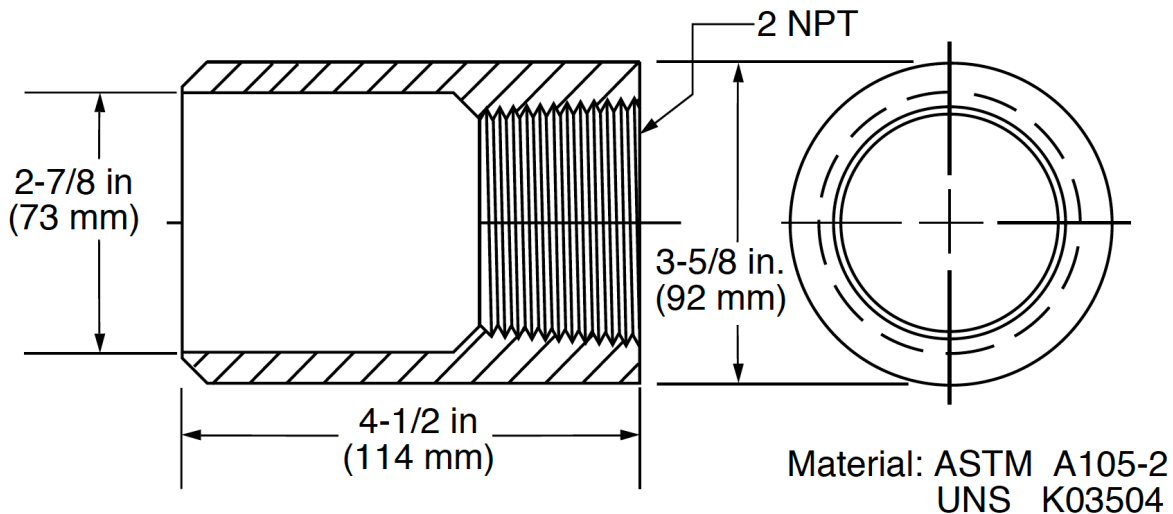


## Installation with a Weld Collar

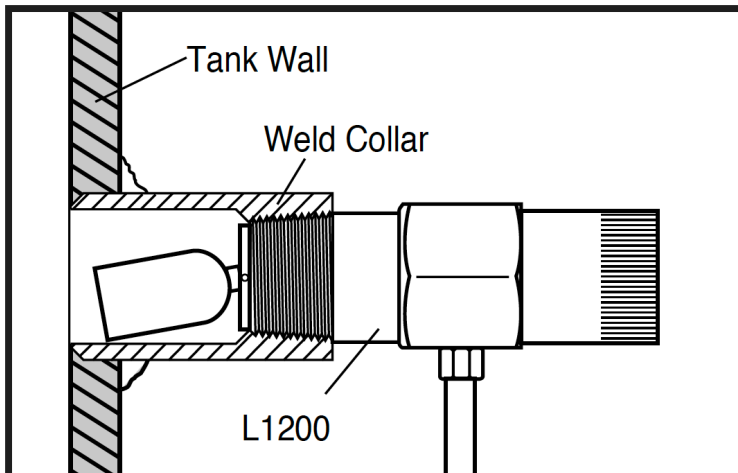
- 1) The weld collar, P/N 15050375, must be welded into the wall of the pressure vessel according to code standards and good welding practices.
- 2) Note: Weld collar 15050375 can be used **ONLY** with model L1200.

### Weld Collar 15050375

(use with L1200 only)



### Typical L1200 Weld Collar Installation



Operating Pressure:  
2000 psi (13.8 MPa) [138 bar]

Operating Temperature:  
400°F (204°C)