

D SERIES DRUM FILTER CART



All-In-One Convenience!

All-in-one convenience is what the DC-D Drum filter cart is all about. The simple practicality of this cart allows the operator to dispense and filter oil out of a 55 gallon drum on wheels. A magnetic kickstand adds stability and ensures the drum will not tip over. The drum filter cart has ability to filter oil viscosities up to 600cSt (ISO VG 680) at 100F within ambient temperature ranges of -15F to 150F. All Y2K products are 100% customizable upon request.

Typical Applications

- Pre-filtering new oil
- Transferring oils
- Topping off reservoirs
- Dispensing new oil

ForFluids.com

D SERIES DRUM FILTER CART

Don't see the options you need?
Contact For Fluids at 1(630) 922-5020
for more information.

Performance:

For filtering mineral and synthetic based oils (hydraulic oils, gear oils and turbine oils) with a maximum operating viscosity range of ISO VG 680 (3000ssu/648cSt) at 100 °F within ambient temperature ranges of -15 °F to 150 °F.

Standard Features:

Materials:

- Frame: Carbon steel with magnetic kickstand
- Paint: Multiple color options available
- Motor: 1HP, 115vac, 60Hz or Pneumatic
- Filter Heads: Medium pressure, cast aluminum heads
- Pump: Heavy duty, cast steel gear pump. Available in 1, 2, 5 and 10 GPM
- Connections: Various quick connect options available
- Hoses: 7ft. Clear PVC, steel reinforced hose or hydraulic hose
- Power Switch: Sealed On/Off Power Switch

Filter Indicators:

- Slide bar differential indicators trigger at 50 psid when elements need to be changed

Pump Relief:

- Opens at 150psi

Weight:

- Approx. 145lbs (will vary depending on options)

Dimensions:

- Approx. 23"L x 21"W x 59"H

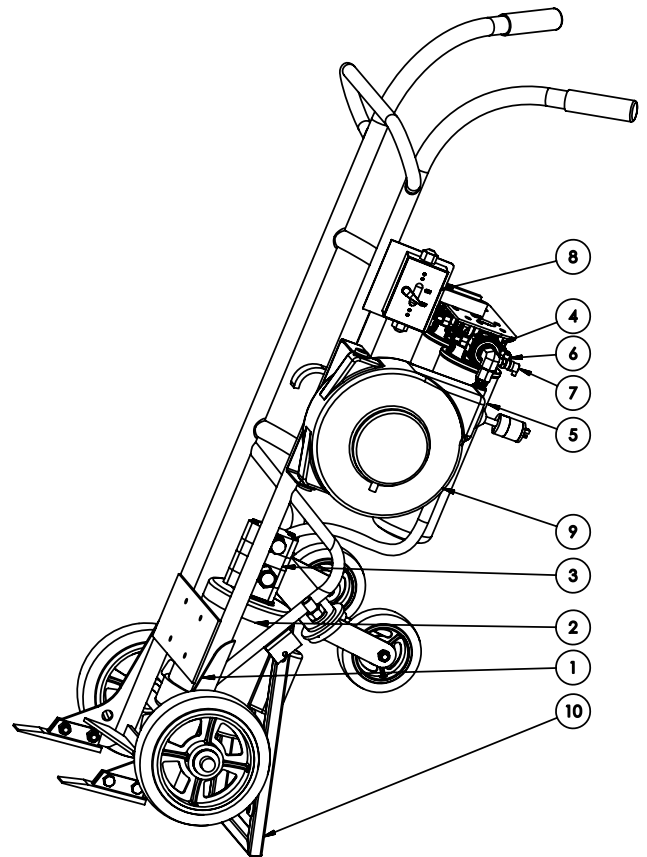
Replacement Elements:

Part Number	BETA Rating	Desired Cleanliness Level (ISO Code)
P1066	$\beta_{4(c)}=2000$	14/12/9 - 13/11/8
P1065	$\beta_{7(c)}=2000$	18/16/13 - 15/13/10
P1063	$\beta_{10(c)}=1000$	19/17/14 - 18/16/13
P1064	$\beta_{25(c)}=2000$	20/18/15 - 19/17/14
P1048WR	Water Removal	

All D Series elements measure 5" x 14".

Components:

Item Number	Description	Qty.
1	Heavy Duty Drum Cart	1
2	Motor	1
3	Gear Pump	1
4	Filter Head	2
5	Filter Element	2
6	Filter Indicator	2
7	Sample Port	2
8	Switch On/Off	1
9	Cord Reel	1
10	Kick Stand	1



ForFluids.com

M SERIES DRUM FILTER CART



All-In-One Convenience!

All-in-one convenience is what the DC-M Drum filter cart is all about. The simple practicality of this cart allows the operator to dispense and filter oil out of a 55 gallon drum on wheels. A magnetic kickstand adds stability and ensures the drum will not tip over. The drum filter cart has ability to filter oil viscosities up to 600cSt (ISO VG 680) at 100F within ambient temperature ranges of -15F to 150F. All Y2K products are 100% customizable upon request.

Typical Applications

- Pre-filtering new oil
- Transferring oils
- Topping off reservoirs
- Dispensing new oil

ForFluids.com

M SERIES DRUM FILTER CART

Don't see the options you need?
Contact For Fluids at 1(630) 922-5020
for more information.

Performance:

For filtering mineral and synthetic based oils (hydraulic oils, gear oils and turbine oils) with a maximum operating viscosity range of ISO VG 680 (3000ssu/648cSt) at 100 °F within ambient temperature ranges of -15 °F to 150 °F.

Standard Features:

Materials:

- Frame: Custom steel with magnetic kickstand
- Paint: Multiple color options available
- Motor: 1HP, 115vac, 60Hz or Pneumatic
- Filter Heads: Low pressure, aluminum heads
- Pump: Aluminum gear pump. Available in 2, 5 and 10 GPM
- Connections: Various quick connect options available
- Hoses: 7ft. Clear PVC, steel reinforced hose or hydraulic hose
- Power Switch: Sealed On/Off Power Switch

Filter Indicators:

- Pop up indicator triggers at 50psid when elements need to be changed.

Pump Relief:

- Opens at 150psi

Weight:

- Approx. 145lbs (will vary depending on options)

Dimensions:

- Approx. 23"L x 21"W x 59"H

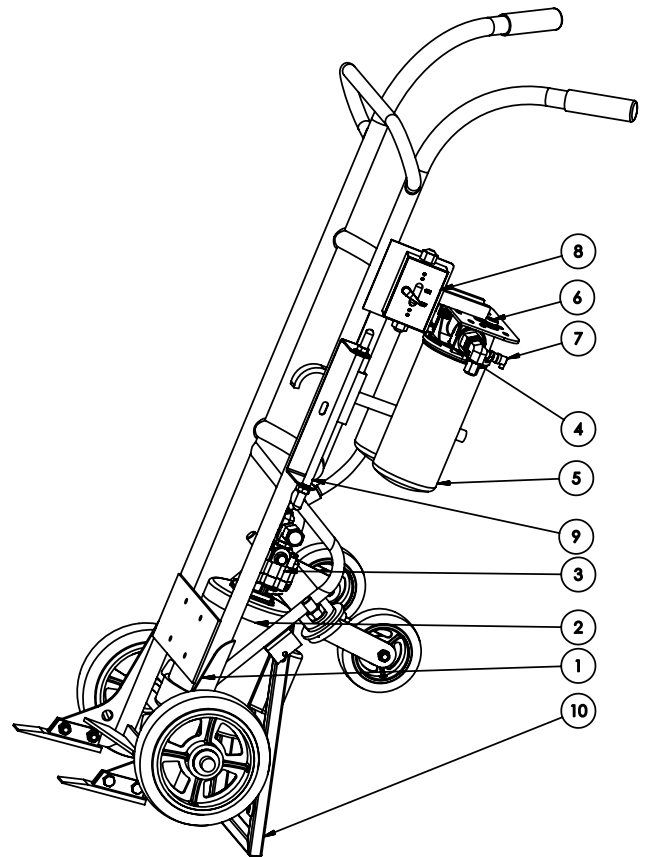
Replacement Elements:

Part Number	BETA Rating	Desired Cleanliness Level (ISO Code)
P1068	$\beta_{3(c)}=1000$	14/12/9 - 13/11/8
P1069	$\beta_{6(c)}=1000$	17/15/12 - 14/12/9
P1070	$\beta_{10(c)}=1000$	18/16/13 - 17/15/12
P1071	$\beta_{25(c)}=1000$	21/19/16 - 20/18/15
P1072WR	Water Removal	

All M Series elements measure 5" x 10".

Components:

Item Number	Description	Qty.
1	Heavy Duty Drum Cart	1
2	Motor	1
3	Gear Pump	1
4	Filter Head	2
5	Filter Element	2
6	Filter Indicator	2
7	Sample Port	2
8	Switch On/Off	1
9	Cord Wrap Area	1
10	Kick Stand	1



ForFluids.com