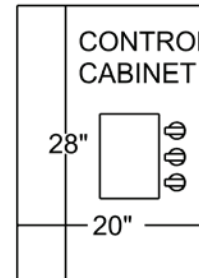
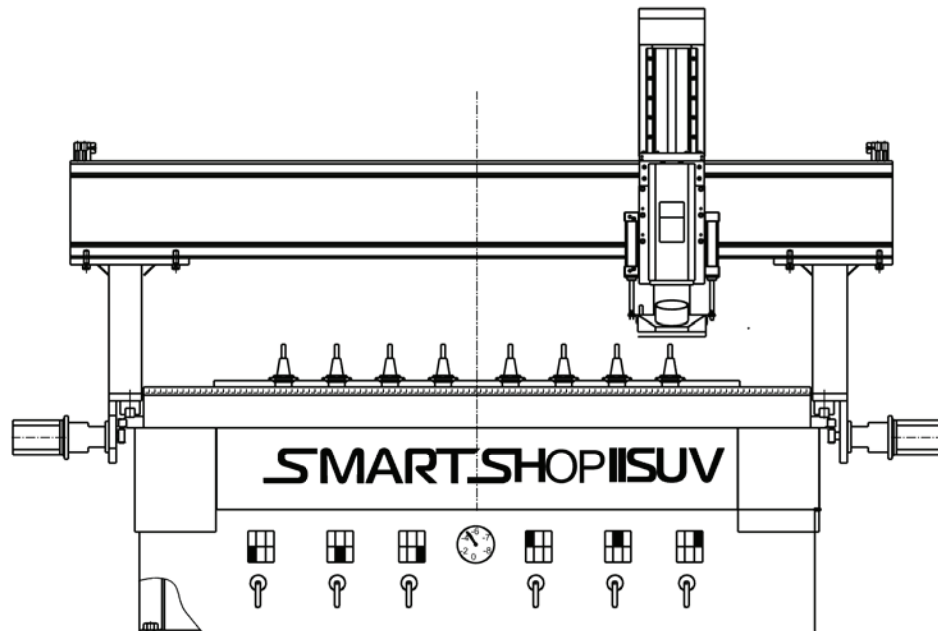
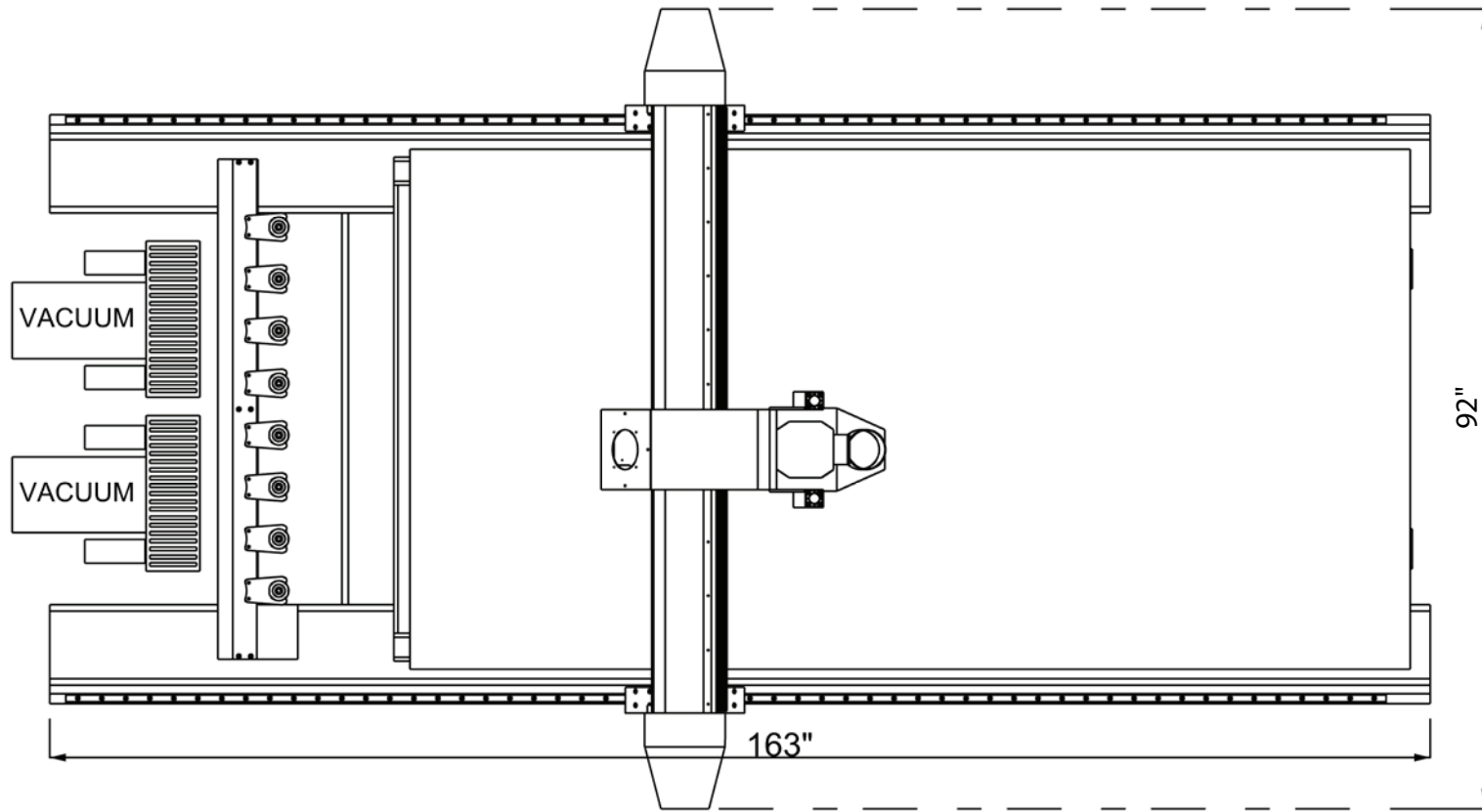


LAGUNA

SMARTSHOPISUV 5x10



Features:

- *4th axis turner can be added anytime.
- *Built with the latest Servo package from B+R
- *Servo tuning and machine configuration can be done on HMI with password. No special software or technician is needed.
- *Absolute positioning encoders. No homing required.

{MCNC SS2 SUV - 5'x10'- 12Hp spindle}

SPECIFICATION:

DRAWN,S.B._12/20/2016_REV,1

POWER REQUIREMENTS.	See Below,varies on vacuum choice.
FOOTPRINT.	113" W X 163" L
WORKING AREA.	61" X 121"
GANTRY CLEARANCE.	12"
SPINDLE.	12HP HSD ATC ES929 SPINDLE
SPINDLE RPM.	6,000-24,000
RAPID TRAVEL.	2000 IPM
MAXIMUM CUTTING SPEED.	1500 IPM
DUST PORT DIAMETER.	4"
PRECISION HELICAL RACK & PINION. DRIVE SYSTEM FOR X AND Y AXES	25MM HEAVY DUTY LINEAR BEARING,ALL AXES
CONTROLLER.	B+R P3 SERVO PACKAGE
MDF TABLE TOP WITH TEE SLOTS.	YES
SOLID STATE HOME SWITCH'S.	YES
HEAVY DUTY WELDMENT TUBULAR STEEL FRAME.	3500 POUNDS
CENTRALIZED LUBRICATION SYSTEM FOR ALL AXES.	YES
VACUUM TABLE	6 ZONES
VACUUM OPTIONS	2 vacuums for 5x10 table preferred.
2 pcs,10hp stock regen vacuum_3 phase	220v,3 Phase,60 amps
2 pcs,10hp stock regen vacuum_1 Phase	220v,1 ph,80 amps_Requires 2 15hp VFD's
2 pcs,8.6hp Becker vacuum_3 Phase	220v,3 Phase,70 amps
2 pcs,12hp Becker vacuum_3 Phase	220v,3 Phase,80 amps