

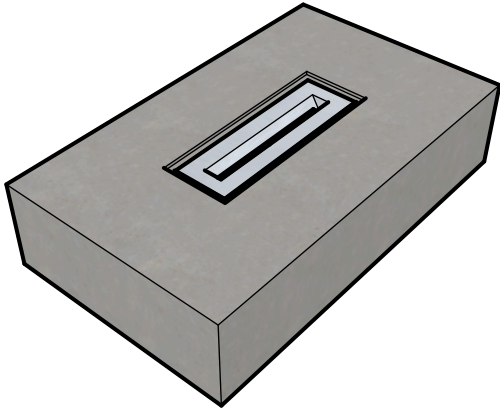
STINSON

Fire Table

Instructional Drawings

October 2009 | **CHENG Concrete**

Stinson Fire Table



Skillset: Advanced

Time: 6 - 8 Hours

Total Weight: 480 pounds

TOOLS

Form Construction:

- Safety Glasses
- Tape Measure
- Table Saw
- Cordless Screw Gun
- Countersink Bit + Phillips Bit
- Caulking Gun + 100% Silicone
- Acrylic Shaping Tools (helpful)
- Spray Adhesive / Contact Cement

Concrete Mixing:

- Particle Dust Mask / Respirator
- Rubber Gloves
- Trowel

De-Molding:

- Small Pry Bar
- Scrap Foam

Finishing:

- 5" Variable Speed Polisher
- Hand Held Diamond Polishing Pads

MATERIALS

Concrete:

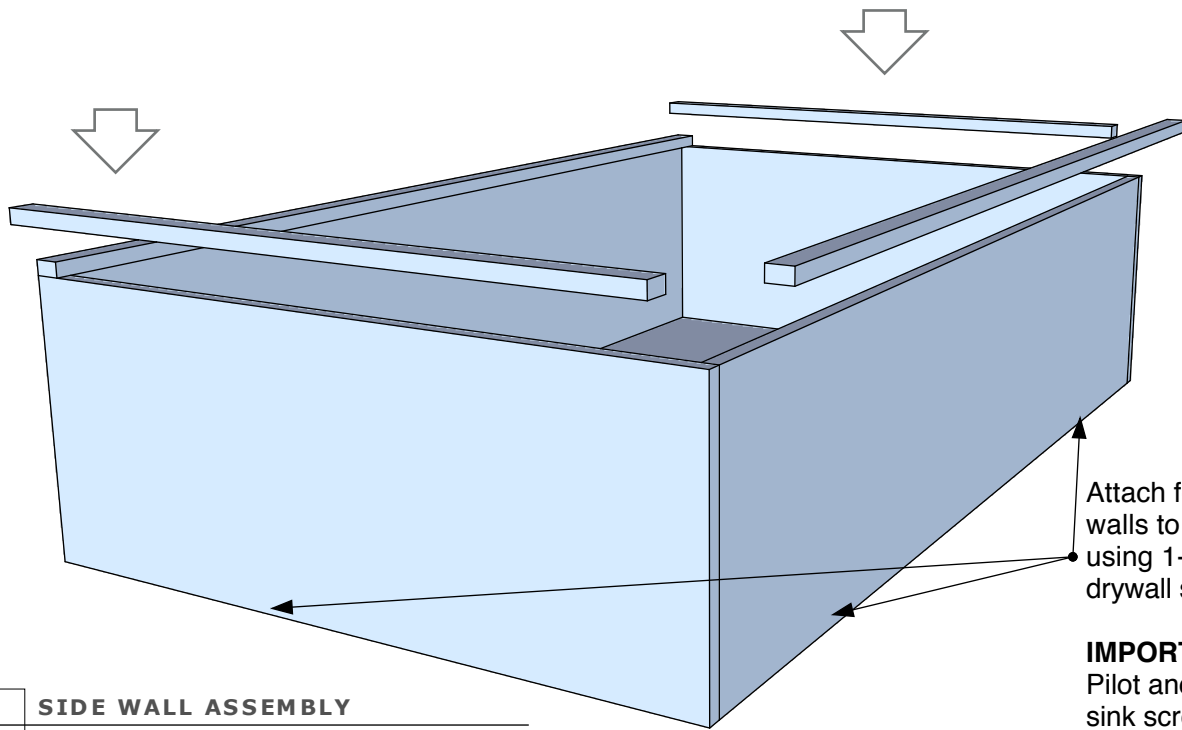
- (4) - cu. ft. CHENG Outdoor Pro-Formula (480 pounds) - 5000 psi Concrete
- (8 oz.) - Alkalai Resistant Glass Fiber

Form:

- (3 sheets) - 4x8' - 3/4" Melamine
- (1 sheet) - 4x8' - 3/4" CDX
- (40 ft.) - 2x4" Lumber
- (16 ft.) - 2.5" Alu. / Steel Angle
- (1 sheet) - 4x4' - 3/4" MDF
- (3 sheets) - 4x8' - Wedi Backer Board
- (30 ft.) - 1-1/2" x 1-1/2" Lumber

Hardware + Supplies:

- 3/4" panhead screws
- 1" galvanized deck screws
- 2-1/2" galvanized deck screws
- 1-1/4" drywall screws
- 1-5/8" drywall screws
- 2-1/2" drywall screws



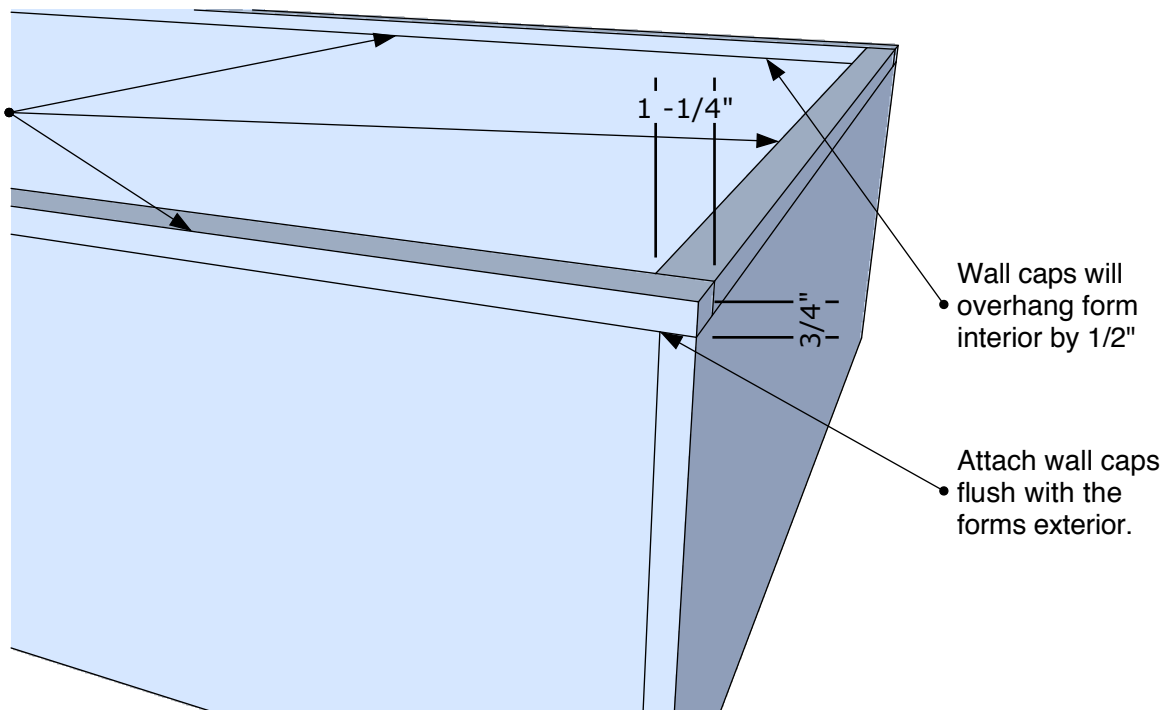
F SIDE WALL ASSEMBLY
002 NTS

Attach form walls to base using 1-5/8" drywall screws.

IMPORTANT: Pilot and counter-sink screws 6" on center into base to avoid "chip-out" or "bubbling" of form base casting surface.

Attach wall caps to form walls with 1-1/4" drywall screws 8" on center.

IMPORTANT: Pilot and counter-sink screws 8" on center into form walls to avoid "chip-out" or "bubbling" of form wall casting surface.



F WALL CAP ASSEMBLY
003 NTS