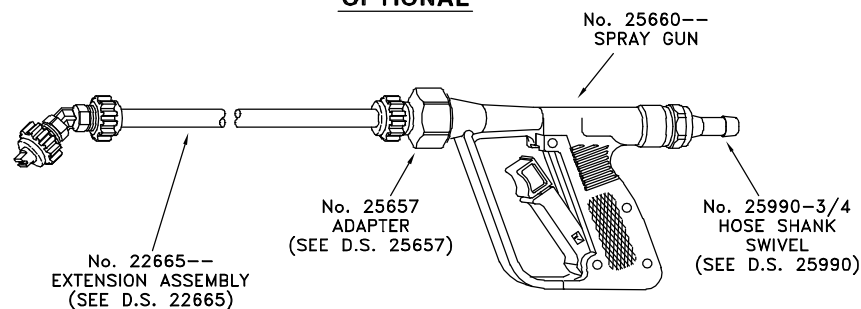


**FEATURES:**

- MADE OF HIGH IMPACT, CORROSION RESISTANT MATERIALS ... NYLON (BLACK), VITON O-RINGS, PACKINGS AND SEAT, WITH STAINLESS STEEL SPRINGS.
- INTERCHANGEABLE NOZZLE TIPS ARE COLOR CODED FOR EASY IDENTIFICATION OF NOZZLE TIP SIZE.
- NOZZLE TIPS PROVIDE A 45° FULL CONE SPRAY PATTERN FROM 48 INDIVIDUAL ORIFICES.
- CONVENIENT TRIGGER LOCK FOR CONTINUOUS SPRAYING.
- MAXIMUM RECOMMENDED PRESSURE - 200 PSI (14 bar)

**OPTIONAL**



**LOW VOLUME SPRAY GUN ASSEMBLY**

MODEL NO.	NOZZLE TIP NO.	NOZZLE TIP COLOR	CAPACITY (GPM) AT VARIOUS PRESSURES**						
			2 PSI	4 PSI	6 PSI	8 PSI	10 PSI	15 PSI	20 PSI
*25660-0	---	---	--	--	--	--	--	--	--
25660-1.5	25670-1.5-NY	GRAY	1.4	1.9	2.3	2.6	2.9	3.4	4.0
25660-3.0	25670-3.0-NY	BLACK	2.0	2.7	3.2	3.6	4.1	4.9	5.6
25660-4.0	25670-4.0-NY	RED	2.3	3.1	3.7	4.3	4.7	5.6	6.4

**METRIC UNITS**

MODEL NO.	NOZZLE TIP NO.	NOZZLE TIP COLOR	CAPACITY (L/min) AT VARIOUS PRESSURES**						
			0.15 bar	0.3 bar	0.4 bar	0.6 bar	0.7 bar	1.0 bar	1.5 bar
*25660-0	---	---	--	--	--	--	--	--	--
25660-1.5	25670-1.5-NY	GRAY	5.4	7.5	8.4	10.2	10.9	12.8	15.7
25660-3.0	25670-3.0-NY	BLACK	7.8	10.6	11.9	14.4	15.5	18.2	22.0
25660-4.0	25670-4.0-NY	RED	9.1	12.4	13.9	17.0	17.8	20.9	25.4

\* LESS NOZZLE TIP

\*\* PRESSURE MEASURED AT GUN INLET

**DESCRIPTION:**  
NO. 25660--  
TEEJET® LAWN SPRAY GUN



**Spraying Systems Co.®**

Spray Nozzles and Accessories  
P.O. Box 7900 - Wheaton, Il. 60189-7900

Rev. No.

Data Sheet No.

25660

Ref.

SHEET OF