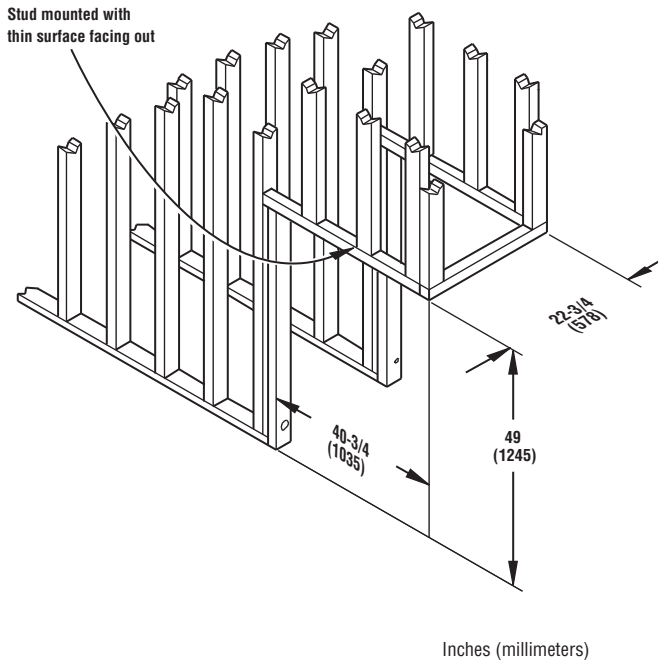


WRT40PF SERIES

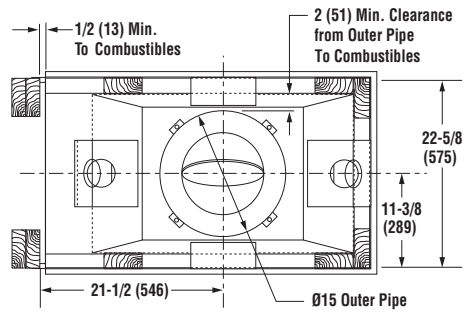
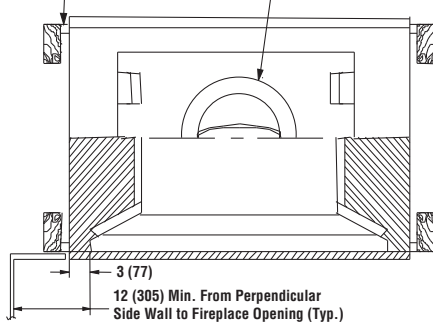
PENINSULA WOOD-BURNING FIREPLACES

Framing Dimensions

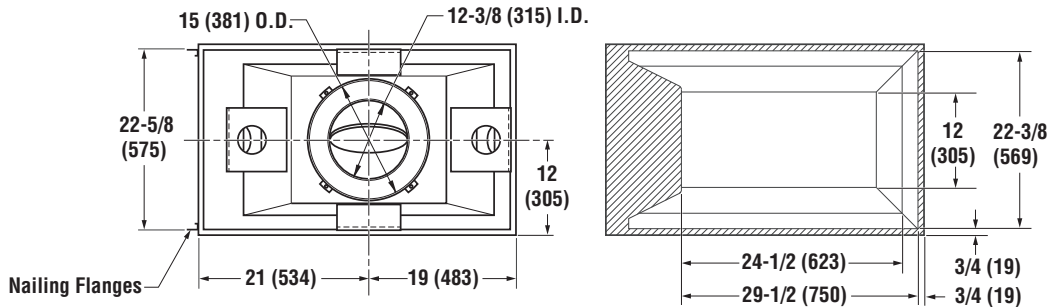


Spacers on Sides of Fireplace Provide Required 1 (26) Clearance

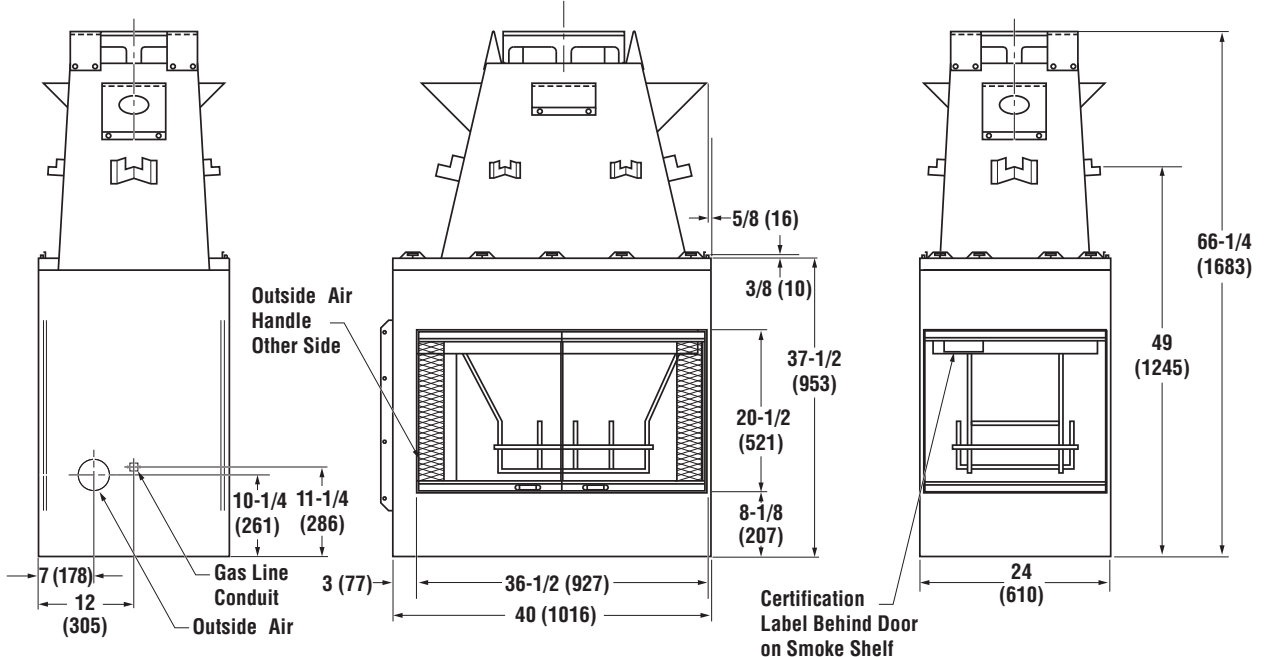
2 (51) Min. Clearance From Pipe to Combustibles



Inches (millimeters)



Fireplace Dimensions



WRT40PF SERIES

Product Info

Product Reference Information					
Cat. No.	Model	Desc.	Interior	Shipping Weight	Shipping Volume
F0646	WRT40PFWS	Radiant	WS	313 lb.	72.2 cu. ft.

Listing



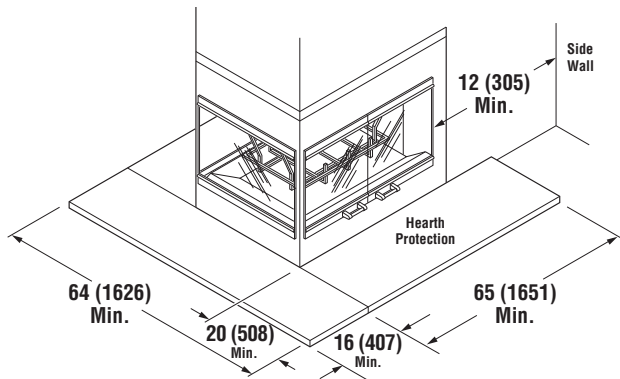
Report No. 09-146

This fireplace has been tested and approved by PFS Corporation under UL127/ULC-S610 standard as a Factory Built Appliance and may be used with gas logs approved to ANSI Z21.60, Z21.84 or Z21.11.2 standards.

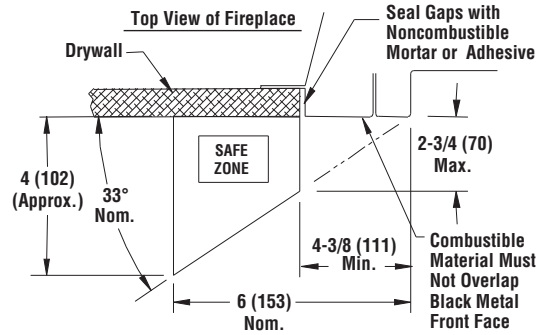
Clearances

Clearances to Combustibles	
Description	Min. Clearance
Back and sides of fireplace	1/2 (13)*
Adjacent wall	12 (305)
Chimney outer pipe surfaces	2 (51)
Bottom of fireplace to floor	0 (0)

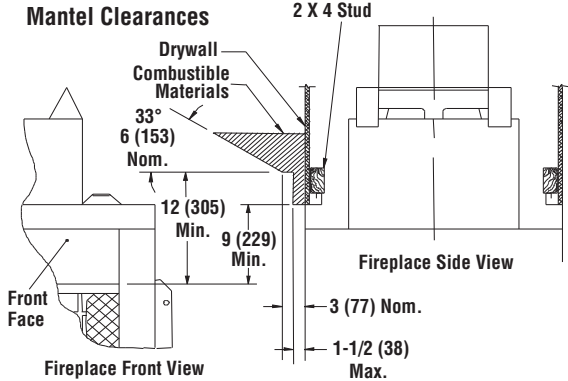
* Not required at nailing flanges Inches (millimeters)



Clearances to Metal Face

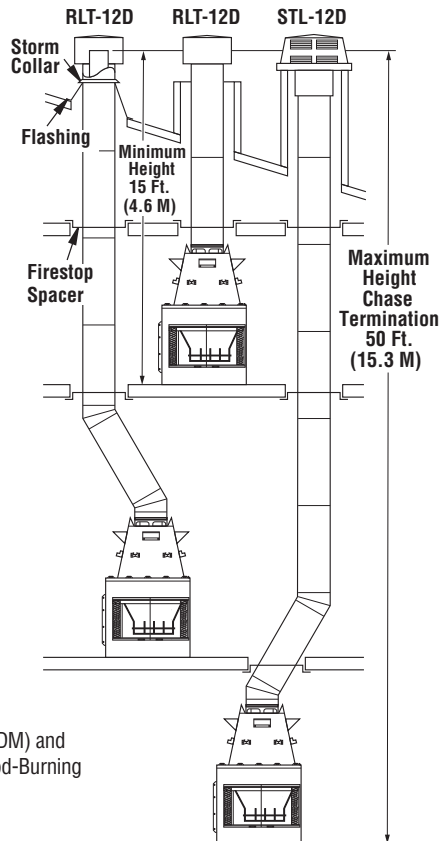


Mantel Clearances



Venting

Chimney Height Max.



Venting

Uses Standard (12DM) and Hi-Temp (12HT) Wood-Burning Chimney.

Typical Offset Installations

