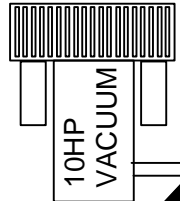
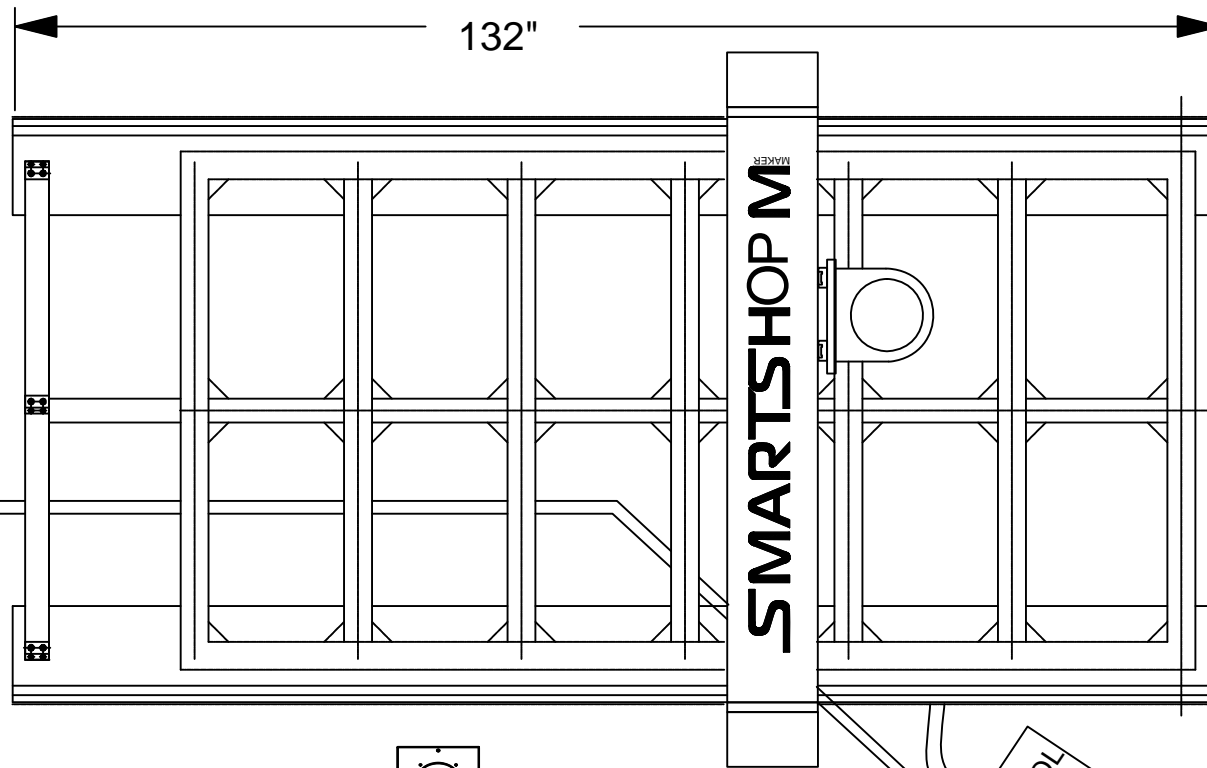


**OPTIONAL
VACUUM**



CUSTOMER
SUPPLIED
WIRING.



LAGUNA

SMART SHOP M-SERIES 4' X 8'

10HP VACUUM 1 OR 3 PHASE

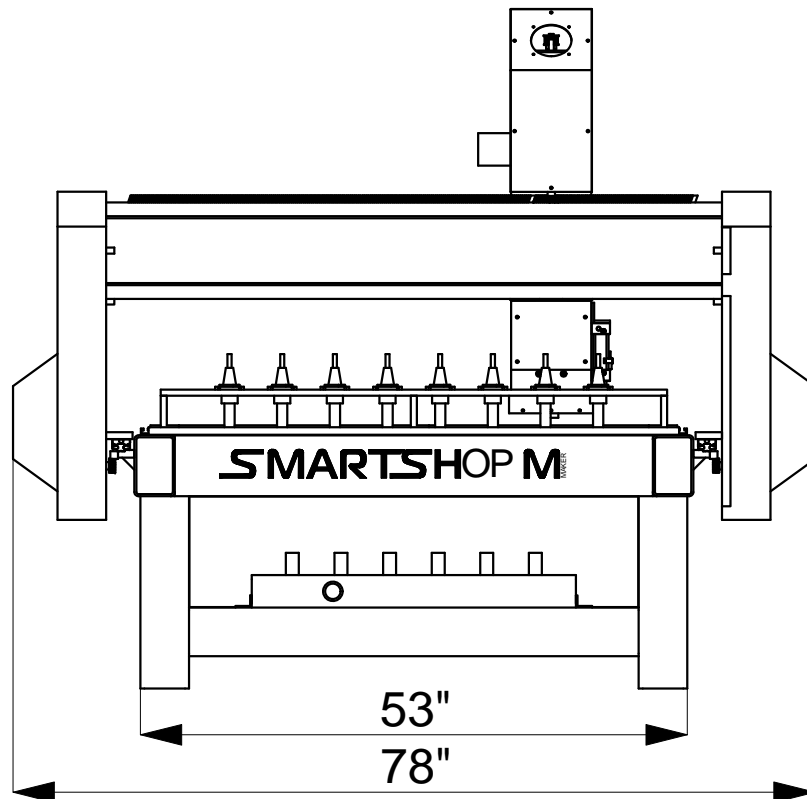
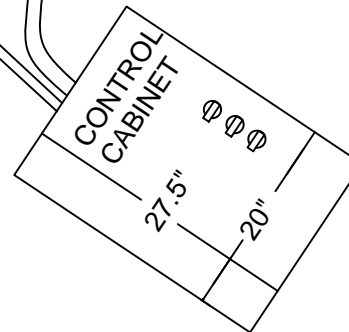
59.5"

{MCNC SS-M 4x8}

SPECIFICATION:

DRAWN,S.B._6/1/2016_REV,2

POWER REQUIREMENTS. (See Note:)	220V,40A,3 PH. OR 50A,1PH. W/ VAC.VFD
FOOTPRINT.	78" W X 132" L X 66 TALL
WORKING AREA.	49" X 97"
GANTRY CLEARANCE.	12"
SPINDLE.	5.5hp,HETICO Spindle,ISO30
SPINDLE RPM.	6,000-24,000
RAPID TRAVEL.	900 IPM
MAXIMUM CUTTING SPEED.	600 IPM
DUST PORT DIAMETER.	4"
PRECISION HELICAL RACK & PINION. DRIVE SYSTEM FOR X AND Y AXES	20MM HEAVY DUTY LINEAR BEARING,ALL AXES
CONTROLLER.	LAGUNA HAND HELD ATC CONTROLLER
MDF TABLE TOP WITH TEE SLOTS.	NO,VACUUM TABLE SYSTEM OF HOLDING
SOLID STATE HOME SWITCH'S.	YES
HEAVY DUTY WELDMENT TUBULAR STEEL FRAME.	1700 POUNDS
CENTRALIZED LUBRICATION SYSTEM FOR ALL AXES.	YES
VACUUM TABLE	6 ZONES
VACUUM PUMP NOT INCLUDED	{10HP,3PH,REGEN VACUUM}-



Notes on Power requirements: A vfd is used for 3 phase vacuum when single phase is used to power machine.