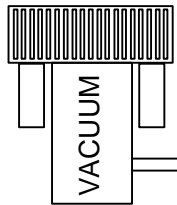
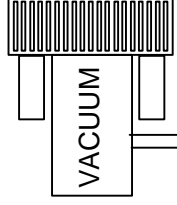


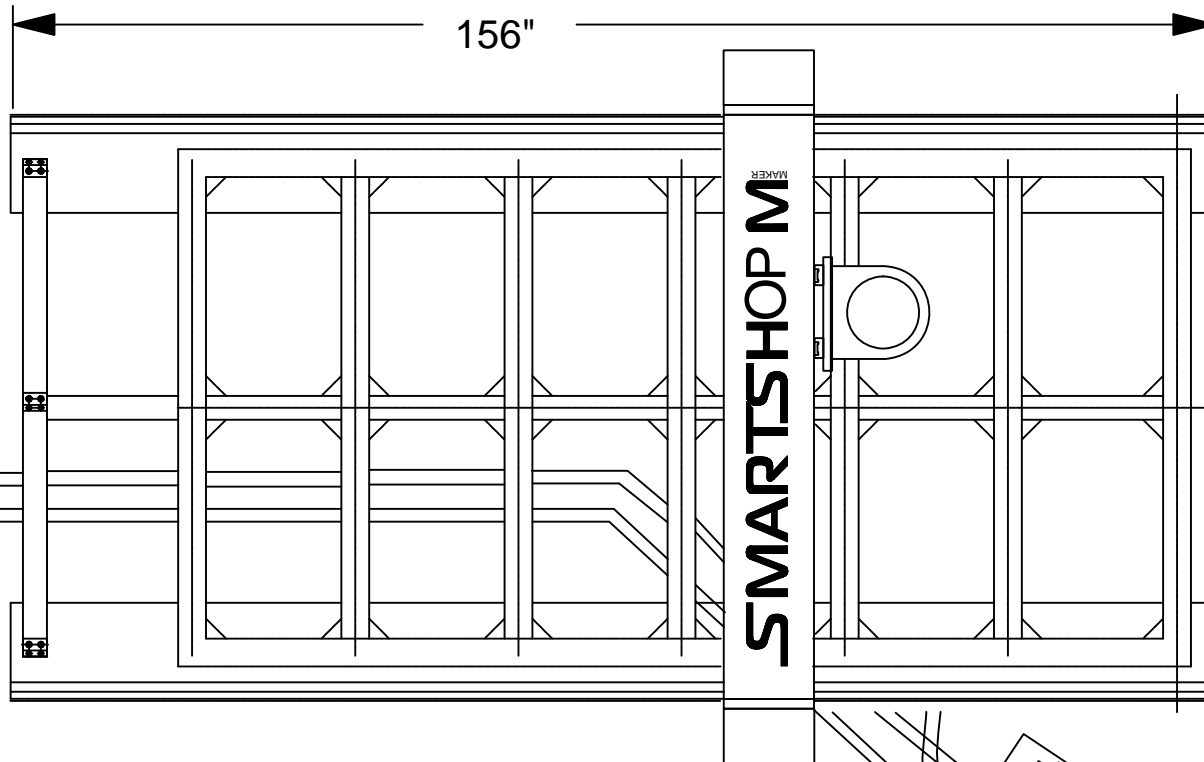
10HP VAC,2



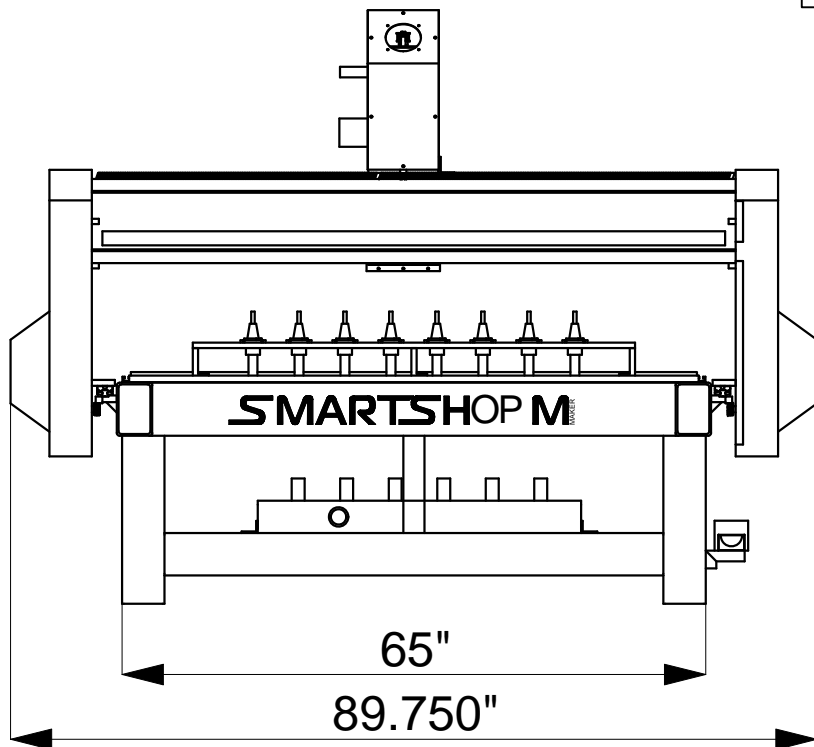
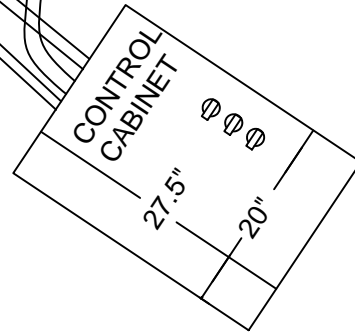
10HP VAC,1



CUSTOMER SUPPLIED WIRING.



SMARTSHOP M



# LAGUNA

## SMART SHOP M-SERIES 5' X 10' 2PCS 10HP VACUUMS

{MCNC SS-M 5X10}

SPECIFICATION:		DRAWN,S.B._7/29/2016_REV,1
POWER REQUIREMENTS. (See Note:)		220V,50A,3 PH. OR 60A,1PH. W/ VAC.VFDS
FOOTPRINT.		90" W X 156" L X 66" TALL
WORKING AREA.		61" X 121"
GANTRY CLEARANCE.		12"
SPINDLE.		5.5hp,HETICO Spindle,ISO30
SPINDLE RPM.		6,000-24,000
RAPID TRAVEL.		900 IPM
MAXIMUM CUTTING SPEED.		600 IPM
DUST PORT DIAMETER.		4"
PRECISION HELICAL RACK & PINION. DRIVE SYSTEM FOR X AND Y AXES		20MM HEAVY DUTY LINEAR BEARING,ALL AXES
CONTROLLER.		LAGUNA HAND HELD ATC CONTROLLER
MDF TABLE TOP WITH TEE SLOTS.		NO,VACUUM TABLE SYSTEM OF HOLDING
SOLID STATE HOME SWITCH'S.		YES
HEAVY DUTY WELDMENT TUBULAR STEEL FRAME.		2500 POUNDS
CENTRALIZED LUBRICATION SYSTEM FOR ALL AXES.		YES
VACUUM TABLE		6 ZONES
VACUUM PUMP NOT INCLUDED		OPTIONAL: {10HP,3PH,REGEN VACUUM}- {5.4HP 3PH BECKER}

Notes on Power requirements: A vfd is used for 3 phase vacuum when single phase is used to power machine.