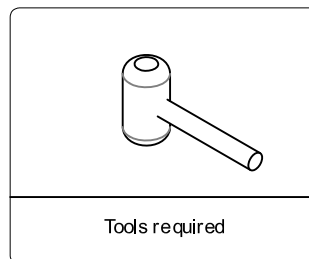
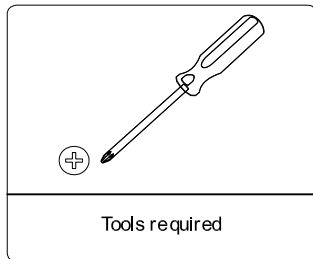
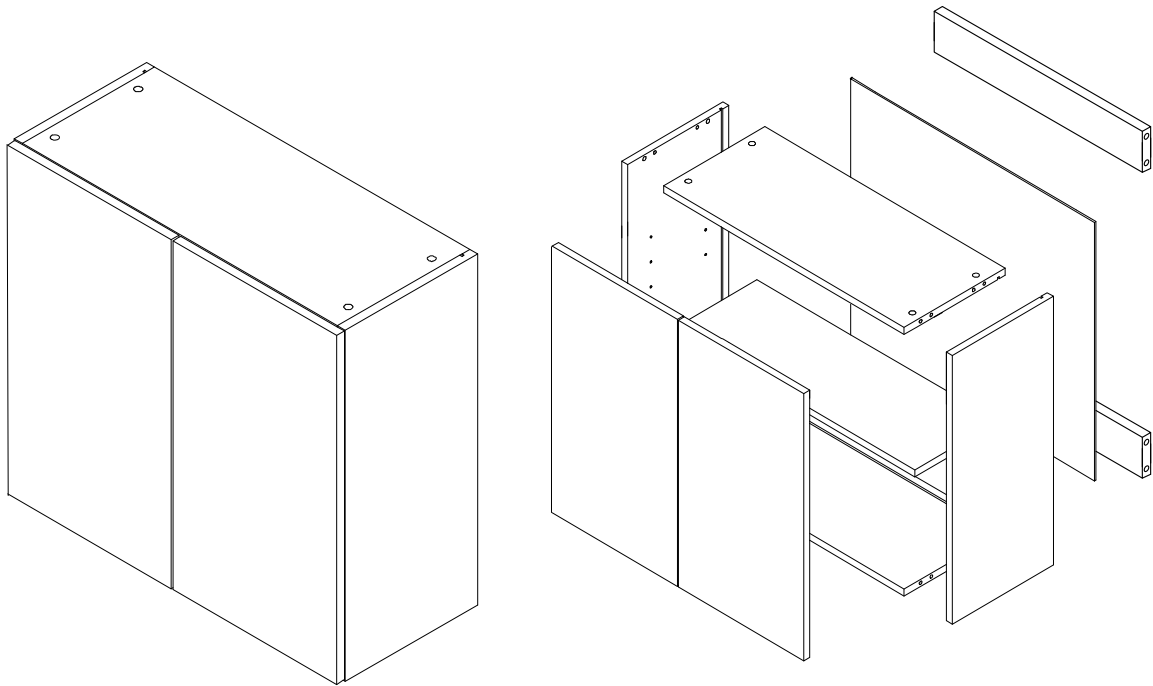




WC 3024

WC 3624



### *Assembly instructions*

- . Carefully read the instructions before starting the installation.
- . During assembly, please follow all generally accepted safety procedures.
- . Check that all appropriate and required plumbing and electrical connections exist.

**If you are missing any part, please stop and contact us immediately at:  
1-800-222-4638 opt.5**

CABINETS TO GO!  
1-800-CABINET

## Hardware Bag

**a**



Qty 12

**b**



Qty 12

**d**



Qty 8

**e**



Qty 4

**f**



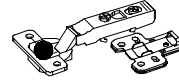
Qty 12

**g**



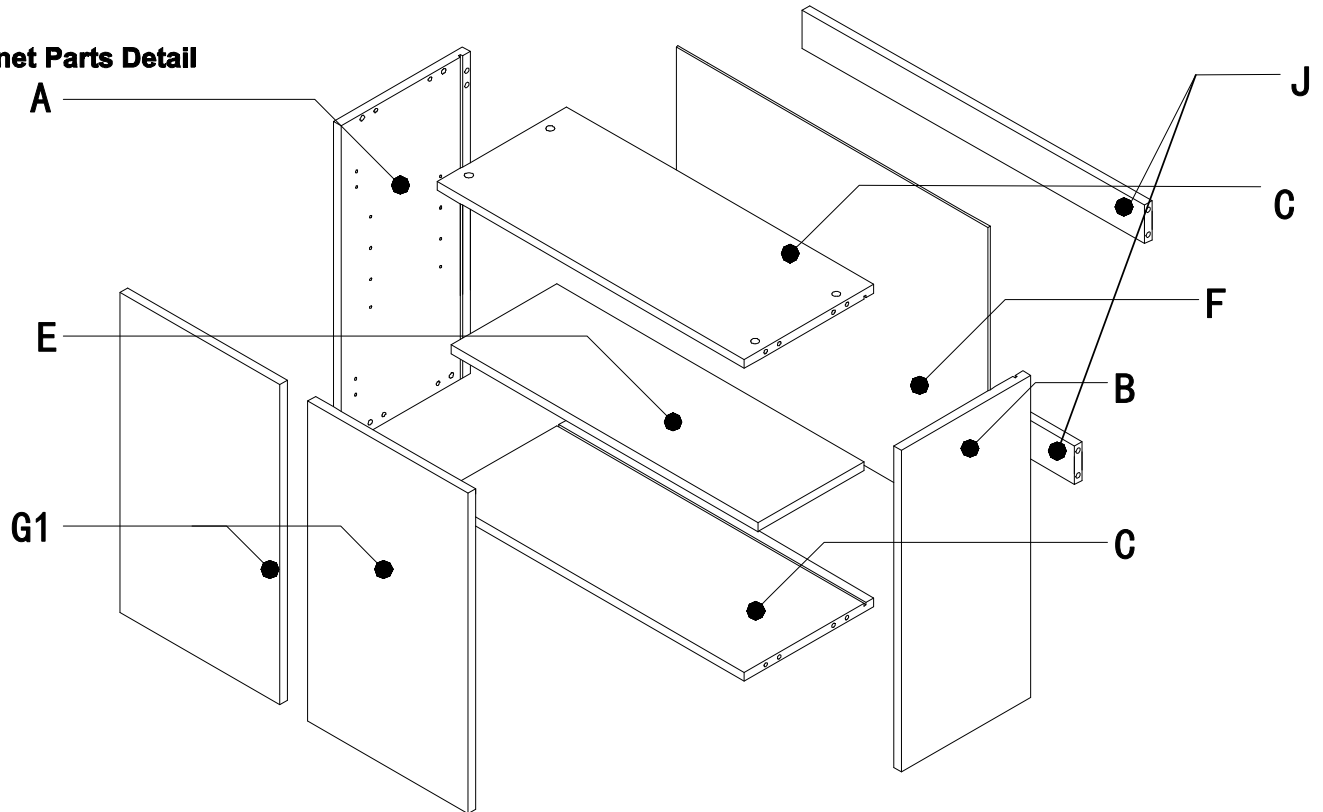
Qty 4

**h**



Qty 4

## Cabinet Parts Detail



NO.	Item
<b>B</b>	side panel (right)
<b>A</b>	side panel (left)
<b>C</b>	Top&Bottom(panel)
<b>F</b>	back panel
<b>E</b>	shelf
<b>G1</b>	door
<b>J</b>	Top back bar

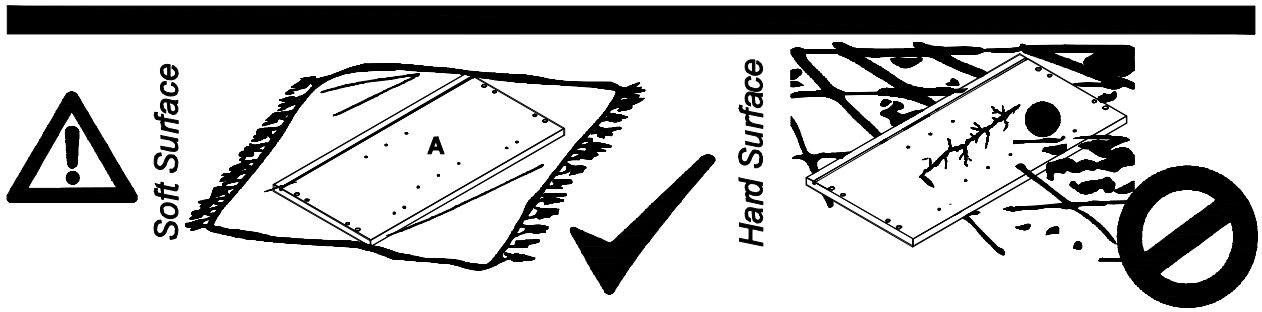
**How to separate each parts?  
if you can not find each parts by the structure  
drawing, pls use the following size for referenece**

### WC 3024

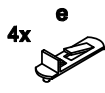
NO.	Item	Size	Qty
B	side panel (right)	24"×12"× $\frac{3}{4}$ "	1
A	side panel (left)	24"×12"× $\frac{3}{4}$ "	1
C	Top&Bottom(panel)	28 $\frac{9}{16}$ "×12"× $\frac{3}{4}$ "	2
F	back panel	23"×29"× $\frac{1}{4}$ "	1
E	shelf	28 $\frac{5}{16}$ "×10 $\frac{5}{8}$ "× $\frac{3}{4}$ "	1
G1	door	23 $\frac{7}{8}$ "×14 $\frac{7}{8}$ "× $\frac{3}{4}$ "	2
J	Top back bar	28 $\frac{9}{16}$ "×3"× $\frac{3}{4}$ "	2

### WC 3624

NO.	Item	Size	Qty
B	side panel (right)	24"×12"× $\frac{3}{4}$ "	1
A	side panel (left)	24"×12"× $\frac{3}{4}$ "	1
C	Top&Bottom(panel)	34 $\frac{9}{16}$ "×12"× $\frac{3}{4}$ "	2
F	back panel	23"×34 $\frac{15}{16}$ "× $\frac{1}{4}$ "	1
E	shelf	34 $\frac{5}{16}$ "×10 $\frac{5}{8}$ "× $\frac{3}{4}$ "	1
G1	door	23 $\frac{7}{8}$ "×17 $\frac{7}{8}$ "× $\frac{3}{4}$ "	2
J	Top back bar	34 $\frac{9}{16}$ "×3"× $\frac{3}{4}$ "	2

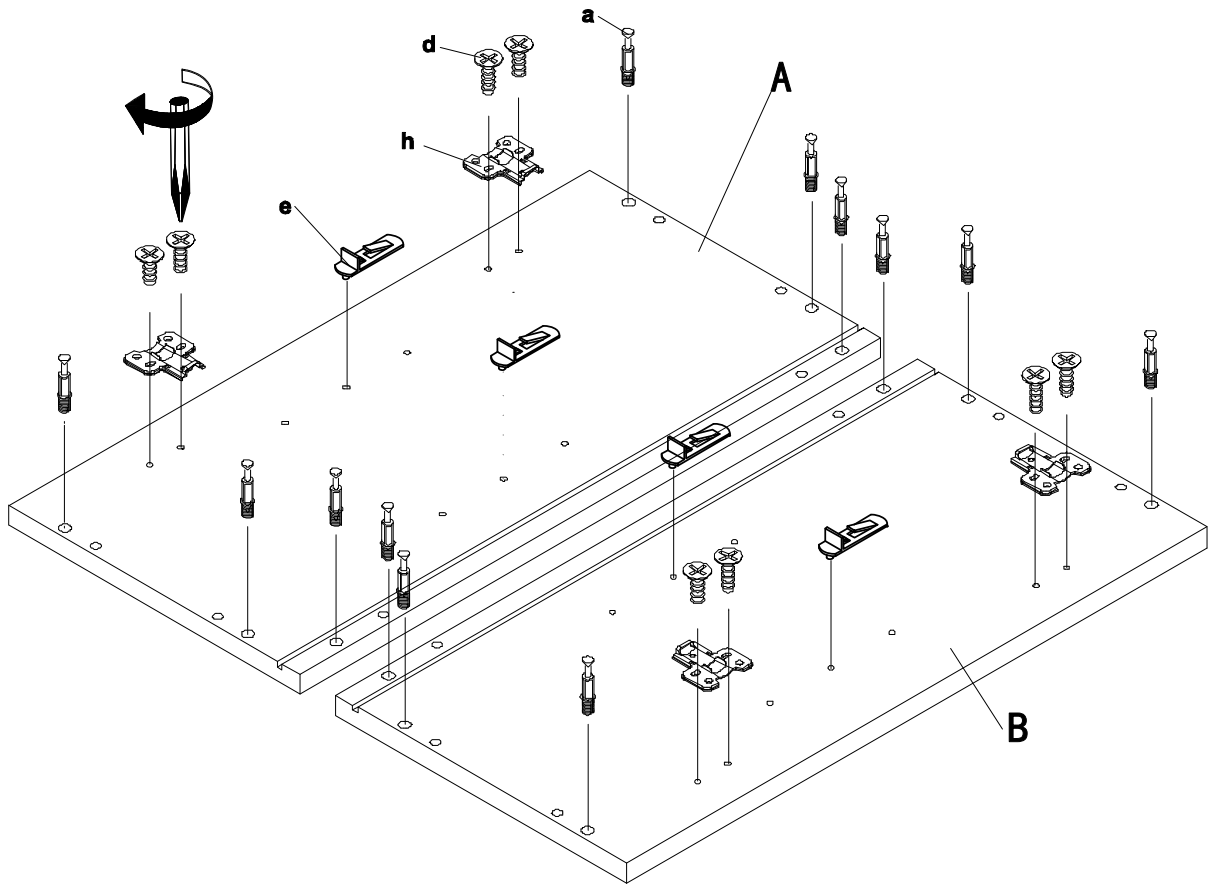
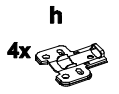


**1**


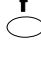


1x **B**

1x **A**



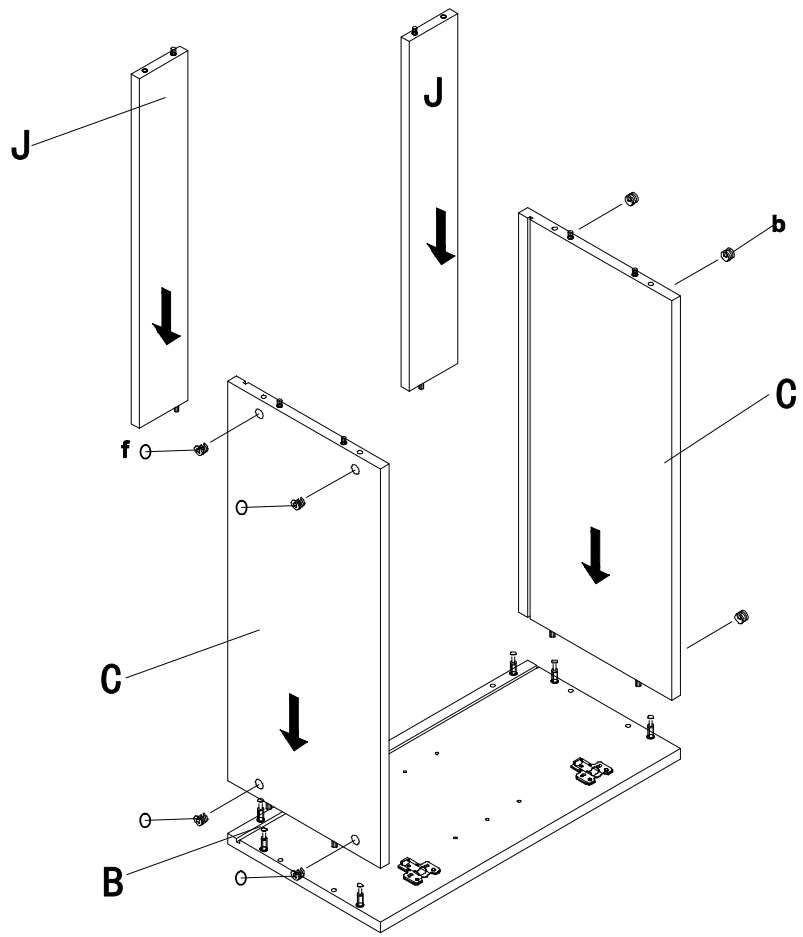
**2**

- 12x  **b**
- 12x  **f**
- 1x

2x **C**

2x **J**

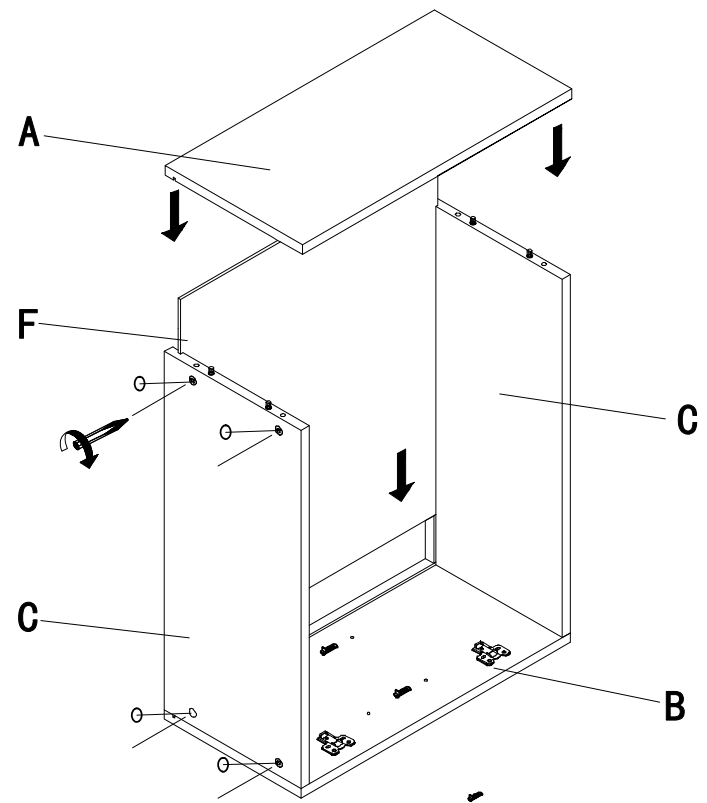
1x **B**



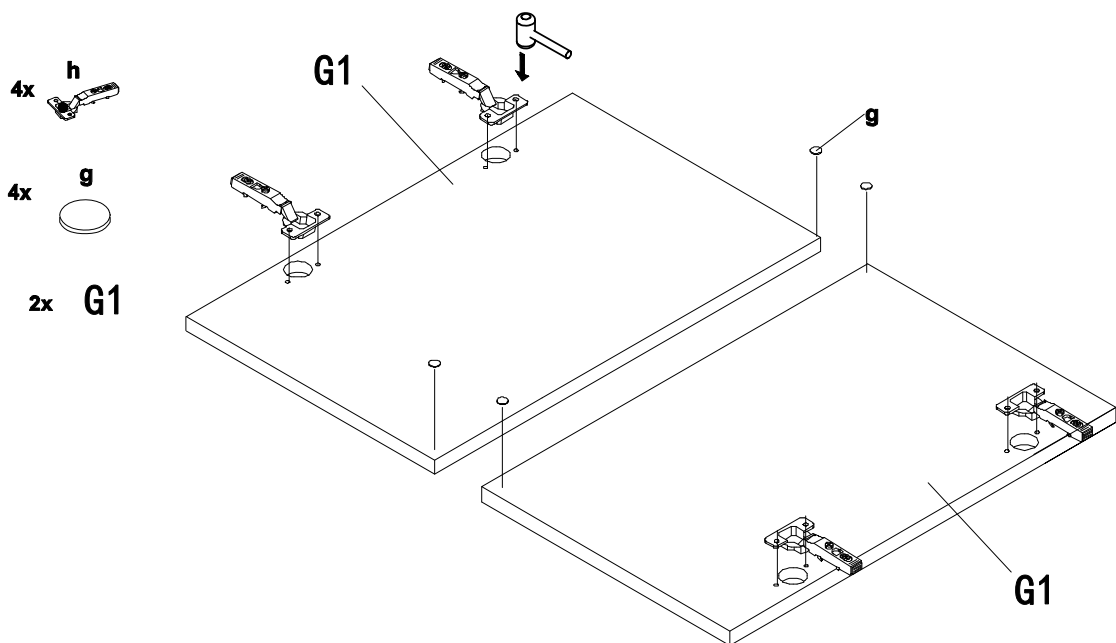
**3**

1x **A**

1x **F**



**4**



**5**

