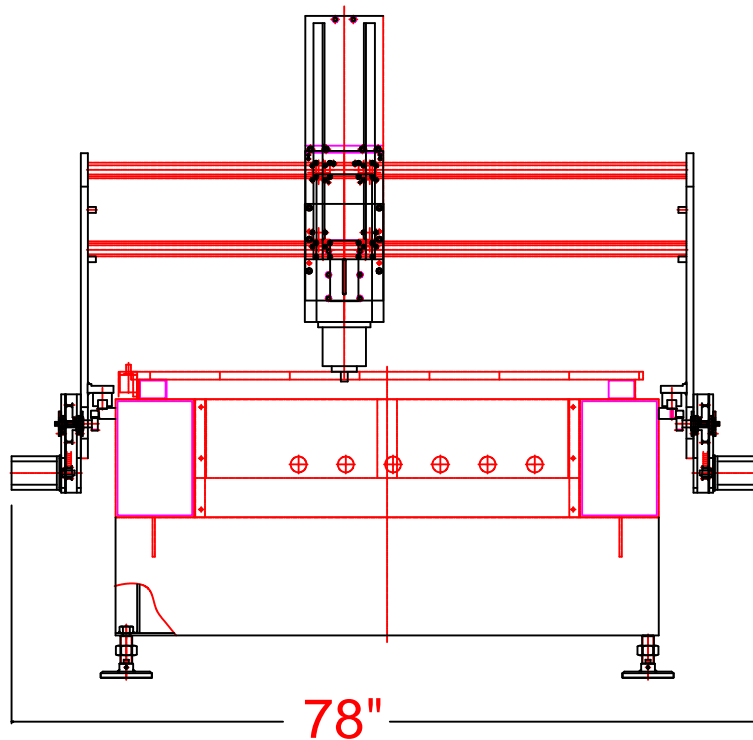
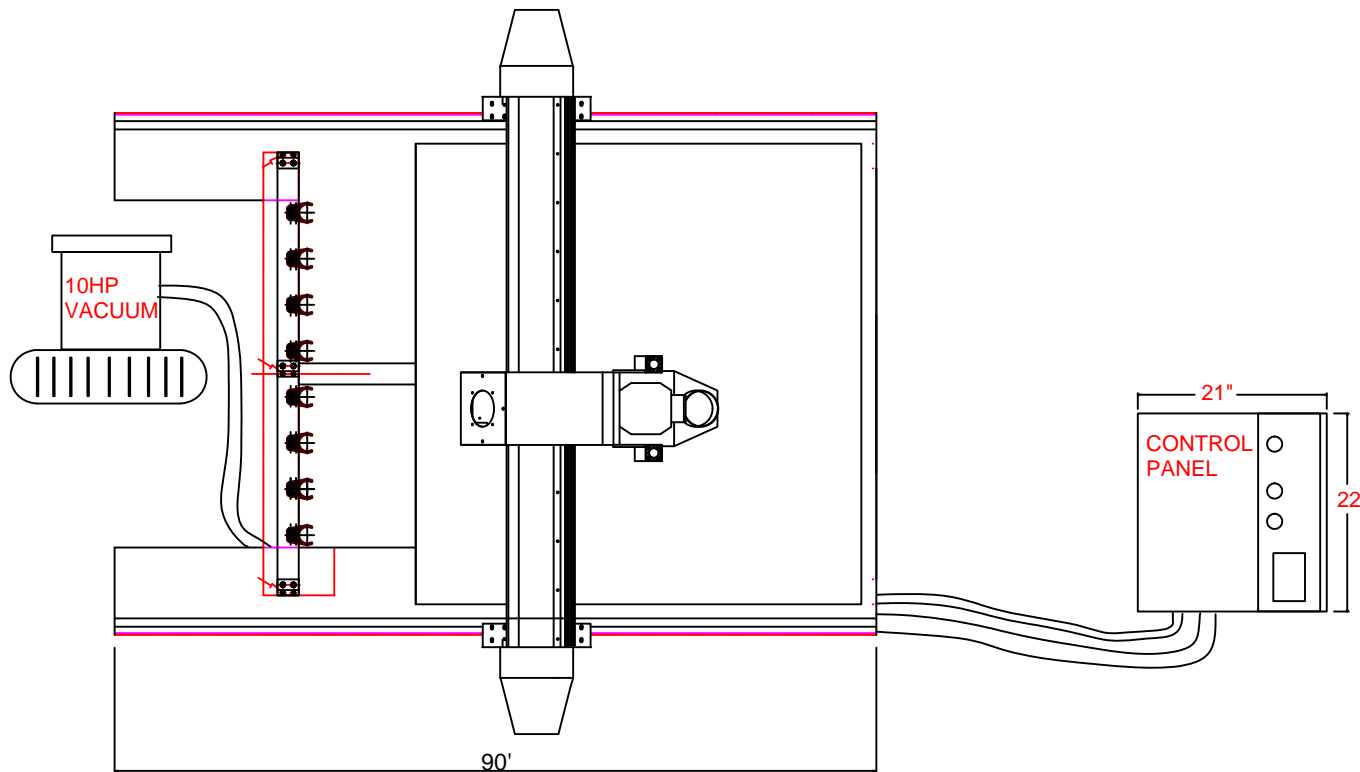


LAGUNA

SMARTSHOP II 4x4

5.5HP HETICO ATC AIR COOLED SPINDLE



{MCNC SS2 4X4 5.5HP Hiteco ready ATC-0158} REV1

SPECIFICATION:		DRAWN.S.B._4/7/2016_REV,1
POWER REQUIREMENTS.	See Below,varies on vacuum choice.	
FOOTPRINT.	78" W X 90" L	
WORKING AREA.	49" X 49"	
GANTRY CLEARANCE.	12"	
SPINDLE.	5.5hp Hiteco air cooled SPINDLE	
SPINDLE RPM.	3,000-24,000	
RAPID TRAVEL.	900 IPM	
MAXIMUM CUTTING SPEED.	700 IPM	
DUST PORT DIAMETER.	4"	
PRECISION HELICAL RACK & PINION. DRIVE SYSTEM FOR X AND Y AXES	25MM HEAVY DUTY LINEAR BEARING,ALL AXES	
CONTROLLER.	B+R PP65 STEPPER PACKAGE	
TOOL CONE	ISO30	
SOLID STATE HOME SWITCH'S.	YES	
HEAVY DUTY WELDMENT TUBULAR STEEL FRAME.	1500 POUNDS	
CENTRALIZED LUBRICATION SYSTEM FOR ALL AXES.	YES	
VACUUM TABLE	6 ZONES	
VACUUM OPTIONS	POWER REQUIRMENTS:	
1 pcs,10hp stock regen vacuum_3 phase	220v,3 Phase,40 amps	
1 pcs,10hp stock regen vacuum_1 Phase	220v,1 ph,50 amps_Requires 15hp VFD	
1 pcs,8.6hp Becker vacuum_3 Phase	220v,3 Phase,50 amps	
1 pcs,12hp Becker vacuum_3 Phase	220v,3 Phase,60 amps	