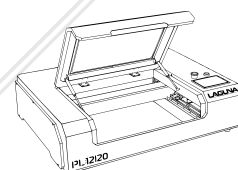


PL1220 LASER MACHINE SPECIFICATIONS

MLC122040

© 03/2018, Laguna Tools, Inc.

Laser Type	Water cooled CO2 sealed laser, 10.6µm wavelength
Laser Power	40 Watt
Work Envelope	12"L x 20"W (cm: 30.5, 50.8)
Max Material Thickness	3/4" (1.9 cm)
Max Material Thickness Bottomless	Infinite
Engraving Speed	0-500mm/s
Cutting Speed	0-500mm/s
Laser Output Control	0-100% Set by Software
Min. Engraving Size	1mm x 1mm
Highest Scanning Precision	4000 DPI
Locating Precision	≤+0.01mm
Controlling Software	Ruida RDWorks
Graphic Format Supported	DST PLT BMP DXF DWG AI LAS, etc.
Color Separation	Yes
Working Environment	32° – 104 ° F , Humidity 5-95%
Phase	1 PH
Voltage	110V
Motor Type	2 x steppers
Motor Spec	4.0 AMP (1-8°)
Cycle	50HZ or 60HZ (auto switching)
Full Load Amperage	14.5 AMP .
Switch Type	Automatic shut off
Power Cord	IEC320-C13 to NEMA 5-15P
Power Plug Included	NEMA 5-15P
NEMA Breaker Recommendation	15 AMP
Foot Print (LxW)	30"L x 40"W (cm: 76.2, 101.6)
Overall Dimensions (LxWxH)	30"L x 40"W x 9"H* (cm: 76.2, 101.6, 22.9)
Shipping Dimensions (LxWxH)	1 of 2: 35"L x 42"W x 16"H. 2 of 2: 16"L x 42"W x 19"H.
Net Weight (No Accessories)	150 Lbs. (68.04 Kgs.)
Shipping Weight	230 Lbs. (104.3
Venting: Outlet Dia.	1 x 6"
Venting: CFM Min. Req.	300 CFM
Sound Emissions	55 dBA
	*Machine needs 27.5" (69.9 cm) height clearance to open lid.



See back cover for dimensional drawings

The information contained in this publication was correct at the time of print. In the interest of continuous innovation, we reserve the right to change specifications, design or included equipment without notice or obligation. No part of this publication may be reproduced, transmitted, or translated into any language in any form by any means without our written permission. Errors and omissions may be current.

© 2018, Laguna Tools, Inc
All rights reserved.



PL1220 LASER MACHINE

MLC122040

© 03/2018, Laguna Tools, Inc.

Foot Print (LxW)	30"L x 40"W (cm: 76.2, 101.6)
Overall Dimensions (LxWxH)	30"L x 40"W x 9"H* (cm: 76.2, 101.6, 22.9)
Shipping Dimensions (LxWxH)	1 of 2: 35"L x 42"W x 16"H. 2 of 2: 16"L x 42"W x 19"H.
Net Weight (No Accessories)	150 Lbs. (68.04 Kgs.)
Shipping Weight	230 Lbs. (104.3)

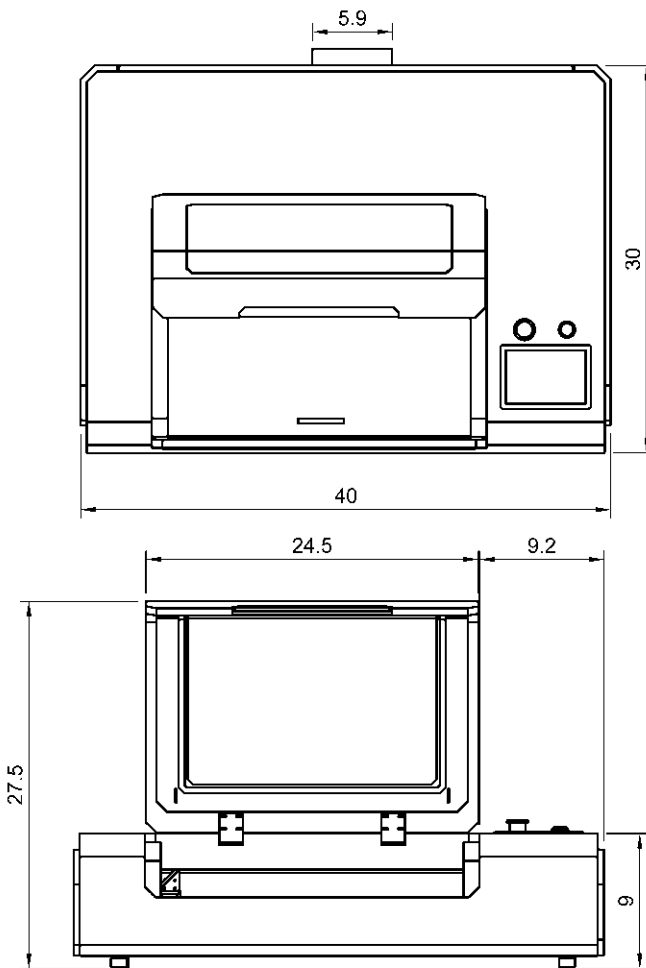
*Machine needs 27.5" (69.9 cm) height clearance to open lid.

INCLUDED WITH PURCHASE

- CW3000 Water Chiller
- Venting Blower Exhaust Fan
- Air Pump
- Software License
- USB Connection Cord
- Ethernet Connection Cord
- Air Hoses
- Water Hoses
- Alarm Cord
- 6" Metal Ductwork and Clamps
- IEC320-C13 to NEMA 5-15P Power Cords
- Laser Set Block
- Spare Sensor
- Installation and Adjustment Tools

STANDARD FEATURES

- Ready to run - all components included
- Engrave any surface with open-bottom design
- RDWorks software package
- Red dot pointer
- Advanced safety features
- Shielded roller bearings
- Precision linear rails
- Compact industrial design
- Sample projects and full manual included
- IEC320-C13 to NEMA 5-15P Power Cords
- Laser Set Block
- Spare Parts
- Installation and Adjustment Tools



PL1220 LASER MACHINE ACCESORIES

PL1220. NTS. Units in inches.

