

LACSAL GOAL parts and assembly instructions.

1.877.822.4626



2 pcs this size and configuration, 37"



2 pcs this size and configuration, 35.4"



2 pcs this size and configuration, 37.4"



6@ of lock washer, washer and wing nut. 3/8". Put them on in this order. If using outside, please coat bolts with a thin coat of oil.



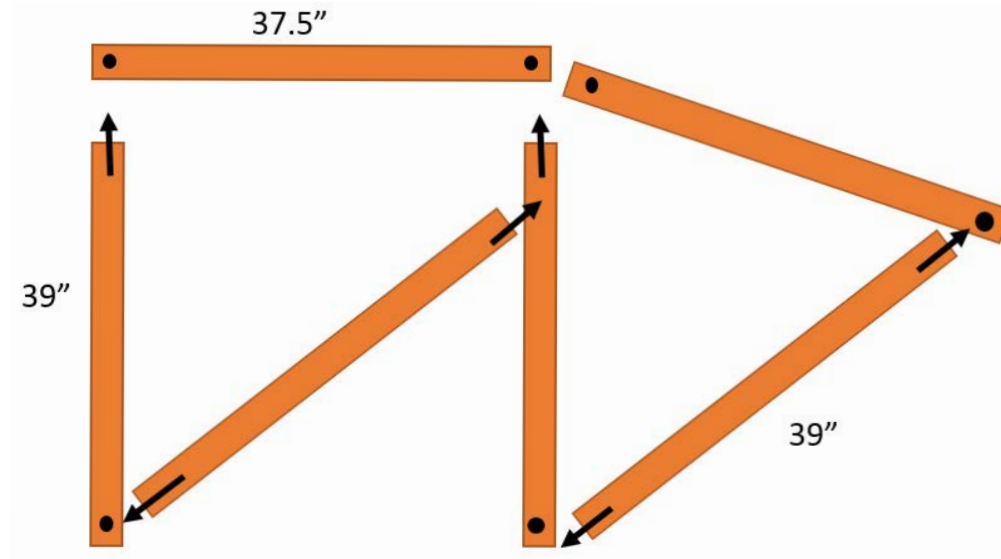
Mesh Net for goal and LacSAL Velcro. String is included if you prefer attaching the net to the goal that way.

LACSAL GOAL ASSEMBLY

Goal Size: 39" tall, 37.5" wide, 39" deep.



Lightly oil bolts if using outside.



LACSAL GOAL ASSEMBLY

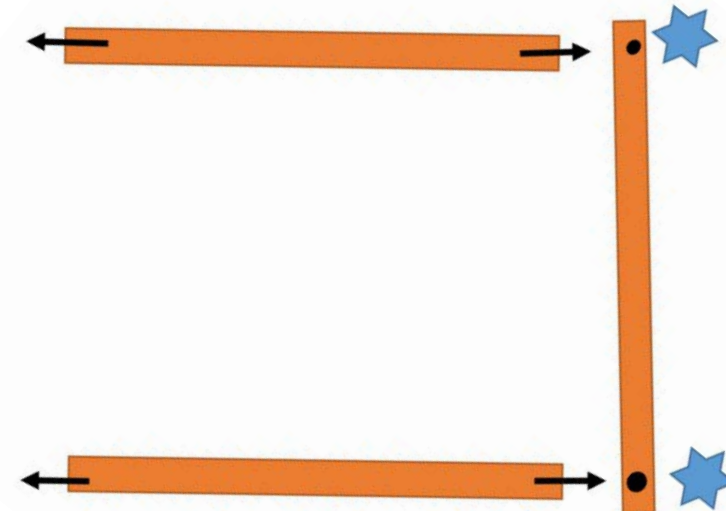
Step 1.

LACSAL GOAL

Step one: Bottom of Goal

★ Need: 2 goal pieces with bolts coming out of each end and 1 piece with 2 holes.

Assemble using locking washer first, then washer and then the wing bolt. Hand tighten.



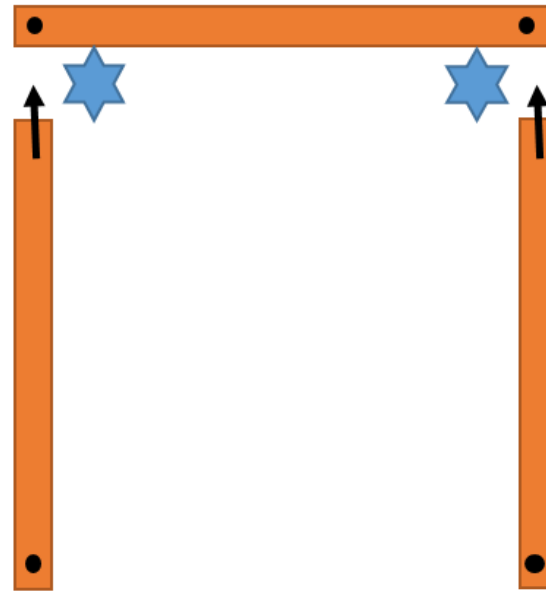
LACSAL GOAL ASSEMBLY

Step 2.

LACSAL GOAL
Step two: Front of Goal



Need: 2 goal pieces with bolts coming out of only one end and 1 piece with 2 holes.
Assemble with locking washer, washer and wing bolt.
Hand tighten.



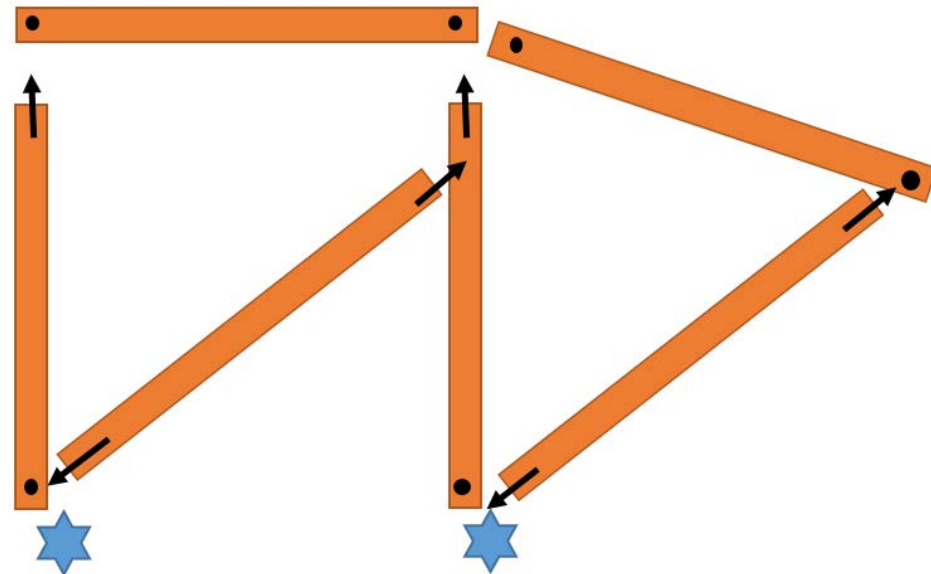
LACSAL GOAL ASSEMBLY

Step 3.

LACSAL GOAL
Step three: 2 pcs from step 1 and 2.

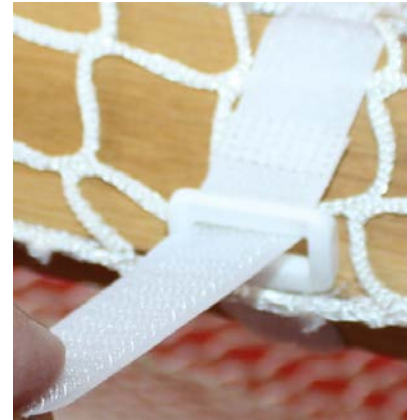


Assemble on flat surface with locking washer, washer and wing bolt.
Hand tighten all wing nuts.



LACSAL GOAL

Lay netting over frame and attached with Velcro strips provide. Suggested 3 strips per length.



LACSAL GOAL ASSEMBLY Step four.

LACSAL GOAL STORAGE:
Undo the bottom 2 front wing nuts, and then just lay the front piece on top of the bottom piece. It forms a U and is easy to store and re-use. You do not have to touch the netting.

