



Tuning:

To tune simply pull or push the magnet up or down the tongue. For best results, keep the magnet in the center of the tongue. To further adjust the pitch, add or change magnet sizes with the Advanced Magnet Pack (sold separately). When stacking the magnets, place the largest magnet against the tongue.

When replacing magnets, the magnets stay in place better if the all magnets on the drum are placed with the same side (bottom) against the tongue.

The two flat sides of each magnet represent the North and South polarities (N/S); meaning each magnet has an arbitrary top and a bottom (A.). Therefore, it may be helpful to remove all the magnets from the drum and pre-stack them before attaching to the tongues (B.). Create a stack of magnets for each tongue. Set the stacks on a metal surface in a circle with the same layout as the tongues (1, 2, 3...). Then make sure none of the stacks attract each other; do this slowly and carefully so the stacks do not collide. If there is any attraction between stacks, flip the stack up-side down and try again. Once all the stacks are properly orientated, transfer them to the appropriate tongue with the bottom of the stack against the tongue.

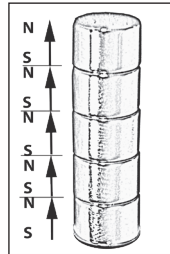
Playing Tips:

The best sound is achieved when the Idiopan rests on a soft surface, a cushion or your lap. Do not play on a hard surface. The tongues are best activated by a quick tap of your fingertips or outer thumb knuckle. Bounce your fingers and thumbs off the tongues as quickly as possible. The sweet spot on the smaller tongues is near the bottom of the tongue. You can also use rubber-tipped mallets.

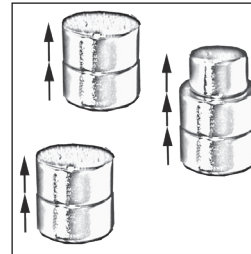
For more tips and videos, see our blog at www.Idiopan.com



A.



B.



Care:

Use a damp cloth to clean the powder coated finish. Avoid using cleaners and solvents. Use a rubber protectant to clean and protect the rubber guard. Do not remove the rubber guard.

Magnet and Choking Hazard Safety Warning!

Magnets are used to tune your Idiopan™ steel tongue drum. Magnets are not toys. They are very strong and must be handled with great care. Do not let the magnets slam into each other or your Idiopan™ steel tongue drum.



Idiopan.com

Crafted in Palm Bay, Florida USA
by EnSoul Music Designs Inc.
info@ensoulmusic.com



– OWNER’S GUIDE –

Welcome to the Idiopan™ steel tongue drum. The first and only steel tongue drum capable of tuning to 100’s of scales with its unique magnet tuning system, providing warm, pure, rich tones ideal for harmonizing with any instrument. Easily tune to A=440 Hz or A=432 Hz scales.

INTRODUCING THE OPUS SERIES:

8-Inch 8-Note Lunabell™

12-Inch 8-Note Domina™

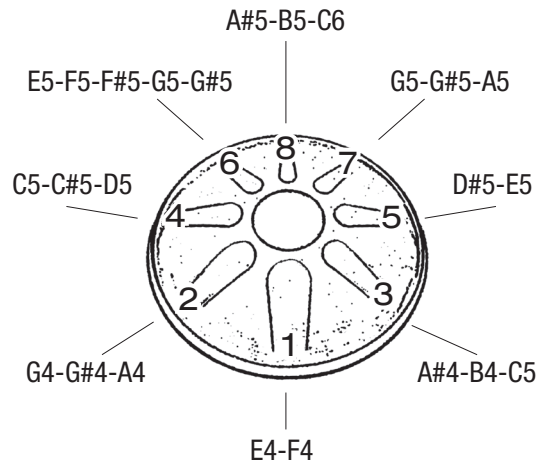
14-Inch 10-Note Dominus™

Lunabell™



The 8-inch 8-note Lunabell™ steel tongue drum comes tuned to the A Major pentatonic scale (E4 A4 B4 C#5 E5 F#5 A5 B5). The Lunabell™, which is the highest voice in the Opus series, is easily tuned to the scales below and many more. An advanced magnet pack is available (sold separately) to extend the tuning range.

Pitch range of each tongue with standard magnet pack:



Here are a few scales that are easy to tune on the Lunabell:

Tongues	1	2	3	4	5	6	7	8
A Major Penta	E4	A4	B4	C#5	E5	F#5	A5	B5
A Minor Penta	E4	A4	C5	D5	E5	G5	A5	C6
Melog-Selisir	F4	A4	A#4	C5	E5	F5	A5	A#5
Akebono	F4	A4	B4	C5	E5	F5	A5	B5

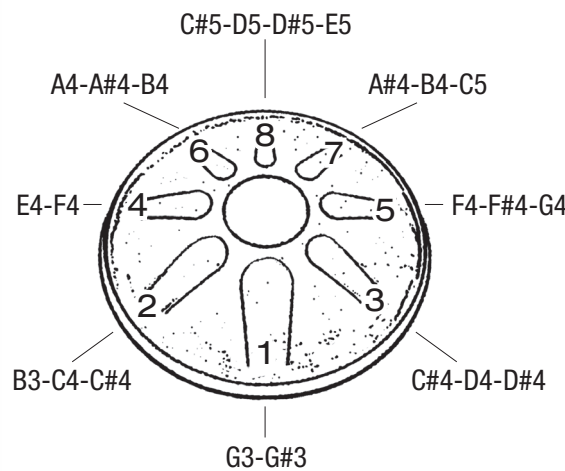
The Advanced Magnet Pack (sold separately) allows you to tune down to hundreds of different scales.

Domina™



The 12-inch 8-note Domina™ steel tongue drum comes tuned to the C Major pentatonic scale (G3 C4 D4 E4 G4 A4 C5 D5). The Domina™, which is the female voice of the Opus series, is easily tunable in the scales below. An advanced magnet pack is available (sold separately) to extend the tuning range.

Pitch range of each tongue with standard magnet pack:



Here are a few scales that are easy to tune on the Domina:

Tongues	1	2	3	4	5	6	7	8
C Major Penta	G3	C4	D4	E4	G4	A4	C5	D5
C Minor Penta	G3	C4	D#4	F4	G4	A#4	C5	D#5
Raga Dosh	G3	C4	D4	F4	G4	B4	C5	D5
Ionian Penta	G3	C4	D4	E4	G4	A4	C5	D5
Dorian Penta	G3	C4	D4	F4	G4	A#4	C5	D5
Mixolydian Penta	G3	C4	D4	F4	G4	A4	C5	D5

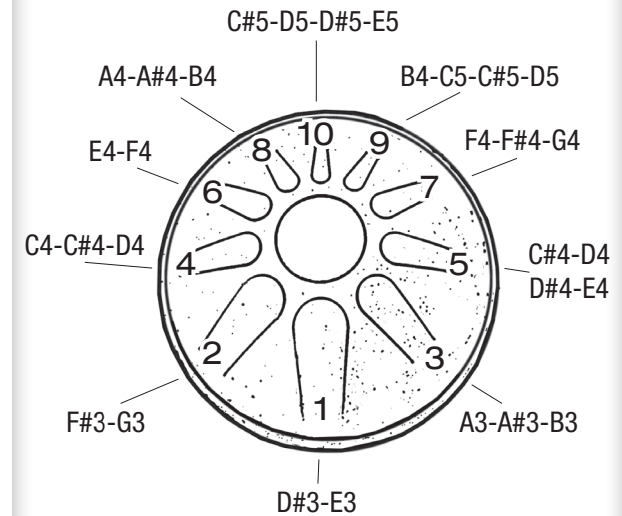
The Advanced Magnet Pack (sold separately) allows you to tune down to hundreds of different scales.

Dominus™



The 14-inch 10-note Dominus™ steel tongue drum comes tuned to G Major pentatonic (E3 G3 A3 B3 D4 E4 G4 A4 B4 D5). The Dominus™, which is the male voice of the Opus series, is easily tunable in the scales below. An advanced magnet pack is available (sold separately) to extend the tuning range.

Pitch range of each tongue with standard magnet pack:



Here are a few scales that are easy to tune on the Dominus:

Tongues	1	2	3	4	5	6	7	8	9	10
Thalassa	E3	G3	B3	C#4	E4	F4	G4	B4	C#5	E5
Tahirah	E3	G3	A3	C4	D4	E4	G4	A4	C5	D5
Sotiria	E3	G3	A#3	C4	D4	E4	G4	A#4	C5	D5
Xonsu	E3	G3	A3	C4	D4	E4	F#4	A4	C5	D5

The Advanced Magnet Pack (sold separately) allows you to tune down to hundreds of different scales.