

**Romeo Louis II - Specification Sheet**  
**by Philippe Starck, 2003**

**Mounting**

Lamp (Bulb) Description	1 x 150W T-10 Medium Frosted Halogen
Environment	Indoor - Dry Location
Finish	Glass
Technical and Product Description	ROMELO LOUIS II Pendant lamp providing diffused light. Blown crystal outer diffuser, hand ground and acid polished transparent glass internal diffuser: acid- etched outside and sandblasted inside. Injection-molded transparent polycarbonate (UL-94 V2) diffuser support. Injection-molded (UL-94HB) white ABS rose, pressed and galvanized internal steel ceiling fitting. 15? steel support cables and transparent cord.

**Electrical**

Voltage	120
Switching	NA

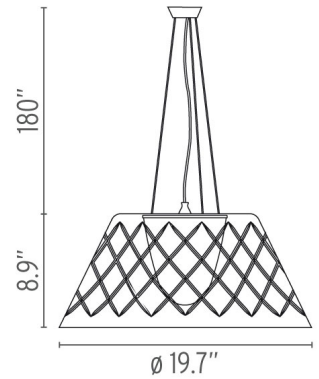
**Physical**

Cord Length (inches)	157
Construction Material	Glass, Steel
Weight	15 lbs



FU644300 Glass

**Dimensional Image**



**Certifications**



**Lamping (Bulb)**



150W T-10 Medium Frosted Halogen

