



**WARNING**

PLEASE READ THE ENTIRE CONTENTS OF THIS MANUAL PRIOR TO INSTALLATION AND OPERATION. BY PROCEEDING YOU AGREE THAT YOU FULLY UNDERSTAND AND COMPREHEND THE FULL CONTENTS OF THIS MANUAL. FORWARD THIS MANUAL TO ALL OPERATORS. FAILURE TO OPERATE THIS EQUIPMENT AS DIRECTED MAY CAUSE INJURY OR DEATH.

REV A 12-20-12

P/N 5900186

# INSTALLATION AND OPERATION MANUAL

## Pneumatic Wheel Lift Model: RWL-150T

REV. A



Keep this operation manual near the machine at all times. Make sure that ALL USERS read this manual .

### SHIPPING DAMAGE CLAIMS

When this equipment is shipped, title passes to the purchaser upon receipt from the carrier. Consequently, claims for the material damaged in shipment must be made by the purchaser against the transportation company at the time shipment is received.

### BE SAFE

Ranger™ Wheel Lifts are designed and built with safety in mind. However, proper training and thoughtful operation on the part of the operator can increase your overall safety. DO NOT operate or repair this equipment without reading this manual and the important safety instructions shown inside.



1645 Lemonwood Dr.  
Santa Paula, CA. 93060, USA  
Tel: 1-805-933-9970  
Toll Free: 1-800-253-2363  
Fax: 1-805-933-9160  
www.rangerproducts.com

## WARRANTY POLICY

Ranger Products™ are backed by over 40 years of manufacturing experience. Every product bearing the Ranger™ name is sold with the following warranty.

- Each Ranger Product™ is warranted to be free from defects in workmanship and material for a period of one year from the date of shipment provided that a written claim for such defect is made within that time.
- This warranty does not cover damage or defects caused by carelessness of the operator, misuse, abuse or abnormal use which in any way impairs the proper functioning of the equipment or by the use or addition of parts not manufactured by Ranger Products™ or its suppliers.

THIS WARRANTY IS EXPRESSLY MADE IN LIEU OF ANY AND ALL OTHER WARRANTIES EXPRESSED OR IMPLIED INCLUDING THE WARRANTIES OF MERCHANTABILITY AND FITNESS FOR A PARTICULAR PURPOSE.

If your Ranger Products™ is not functioning properly, call your Ranger Products™ dealer immediately. On some occasions, an independent contractor may be hired to do the repairs. Within the warranty period, a customer should not hire his own contractor unless it is authorized in writing by Ranger Products™.

If it is necessary to return equipment for repairs, your dealer will so advise you. When returning equipment for repairs, see that machines are properly crated and protected, and prepay transportation.

Defective parts replaced at no charge must be returned to your dealer or Ranger Products™ within 60 days of the date that the replacement parts are shipped; otherwise, you must pay for the replacement parts at the current selling price.

## LIMITED RETURNS / EXCHANGE POLICY

BendPak / Ranger prides itself on a tradition of outstanding customer care and support. Our devoted team of account representatives understands that our customers are the hallmark of our enduring partnerships.

Our limited return and exchange policy allows you to return defective or incorrect merchandise for a full or partial credit of your order. All returned merchandise requires authorization. Contact our service representatives first for shipping instructions and to obtain a return authorization number. Credit will not be issued unless authorization to return merchandise has been received.

For all merchandise returned to BendPak / Ranger for reasons other than warranty, a 20% restocking fee and round-trip shipping costs will be deducted from the credit refund. All returned items must be in their original box or crating and must include all packing material, manuals and all accessories. At our discretion, a restocking fee may be charged if your product is opened or is not returned in its original condition, box, or is missing packing material, manuals, or any accessories.

## NO RETURNS, CREDITS OR EXCHANGES FOR:

- Returned items that failed due to an accident, purchaser's abuse, neglect or failure to operate in accordance with instructions provided in the owner's manual(s) supplied.
- Returned items that failed due to incorrect voltage or improper wiring.
- Returned items that failed due to rain, excessive humidity, corrosive environments or other contaminants.
- Any item damaged in shipment or any product failure caused by installing or operating product under conditions not in accordance with installation and operation guidelines or damaged by contact with tools or surroundings.
- Returned items with cosmetic defects that do not interfere with product functionality.
- Returned items with no accompanying RMA number and completed RMA form.
- Returned items that are incomplete or defaced.
- Any consumable or standard wear items.
- Returned items with a different serial number from what was authorized for return.
- Returned items that do not include your original receipt, invoice or sales order.
- Returned items that were special ordered or custom configured.
- Freight damaged items. If your shipment arrives damaged you must note the damage on the carrier's delivery record in accordance with the carrier's policy, save the merchandise in the original box and packing it arrived in, and arrange for a carrier inspection of damaged merchandise.

## HOW TO RETURN PRODUCTS

Please contact BendPak / Ranger within 14 days of your original shipment or warranty exchange for a Return Merchandise Authorization (RMA) number before returning your product to BendPak / Ranger.

For faster service, please have the following information on hand when calling for an RMA number: customer name, order or invoice number, item (SKU) number and serial number (if exists) and the reason for the return. In addition to the RMA number, a completed RMA form must accompany each shipment of returned merchandise.

No returns of any type will be accepted without an RMA number and completed RMA form.

Returned items must be shipped via ground service only.

Do not return items by air unless authorized in writing.

For warranty related exchanges and/or returns, a BendPak customer service representative will work with you to arrange to have the item(s) returned via a BendPak preferred carrier freight collect.

Products returned C.O.D. will be refused. Unauthorized freight collect charges will be denied.

Once an item arrives at BendPak / Ranger, we will issue a full or partial credit, exchange or refund within 15 days.

Additional time may be required depending on the nature of the return.

Returns must be made within 15 days of the Return Authorization being provided. Any incurred costs associated with damaged merchandise will be deducted from credits owed. BendPak / Ranger is not responsible for merchandise damaged in return shipment. We strongly recommend you package the items carefully to ensure safe passage. For non-warranty items, we suggest you fully insure your return shipment in case of loss or damage.

## IMPORTANT SAFETY TIPS



**ALWAYS MAINTAIN A CLEAN WORK AREA.  
KEEP VISITORS AND ESPECIALLY  
CHILDREN AWAY FROM WORK AREA.**

**THIS WHEEL LIFT IS TO BE OPERATED BY  
PROPERLY TRAINED PERSONNEL ONLY.  
OPERATION BY UNTRAINED  
PERSONNEL MAY RESULT IN INJURY  
AND /OR PROPERTY DAMAGE.**

### **For Parts Or Service Contact:**

**Ranger Products  
1645 Lemonwood Dr.  
Santa Paula, CA. 93060  
Tel: 1-805-933-9970  
Toll Free: 1-800-253-2363  
Fax: 1-805-933-9160  
[www.rangerproducts.com](http://www.rangerproducts.com)**



**THIS OPERATING MANUAL CONTAINS  
IMPORTANT DETAILS CONCERNING THE  
SAFE OPERATION OF THIS EQUIPMENT.  
THE USER MUST READ AND UNDERSTAND  
THESE DETAILS BEFORE ANY USE OF THE  
EQUIPMENT. THIS MANUAL MUST BE  
RETAINED FOR FUTURE REFERENCE.**

### **OWNER/OPERATOR RESPONSIBILITY:**

The owner and/or operator shall study the product instructions and retain them for future reference.

The owner and/or operator shall have an understanding of the product operating instructions and warnings before operating the wheel lift.

Warning information shall be emphasized and understood. If the operator is not fluent in English, the product instructions and warnings shall be read to and discussed with the operator in the operator's native language by the purchaser/ owner or his designee making sure that the operator comprehends its contents.



## INSPECTION

Visual inspection should be made before each use of the lift. This inspection should check for abnormal conditions such as cracked welds, leaks, and damaged, loose or missing parts.

Any lift that appears to be damaged in any way, is found to be worn or operated abnormally, must be removed from service immediately.

Any lift that operates abnormally shall be removed from service until repaired by a qualified repair service center.

If the lift is accidentally subjected to an abnormal load or shock, it must be taken out of service immediately and be inspected by a qualified repair or service center.

It is recommended that an annual inspection is performed on the lift and that any damaged or worn parts, decals or warning labels be replaced with manufacturer's specified parts.

## ALTERATIONS

Because of potential hazards associated with this type of equipment, no alterations shall be made to the product.



**FOR YOUR SAFETY AND TO PREVENT INJURY:**

Use Wheel Lift for lifting purposes **ONLY**.

## WARNING!

**DO NOT EXCEED RATED CAPACITY. OVERLOADING CAN CAUSE DAMAGE TO OR FAILURE OF THE WHEEL LIFT.**

**KEEP HANDS AND BODY CLEAR OF ALL PINCH POINTS.**

**THIS LIFT IS DESIGNED FOR USE ONLY ON HARD LEVEL SURFACES CAPABLE OF SUSTAINING THE LOAD. USE ON OTHER THAN HARD LEVEL SURFACES CAN RESULT IN THE INSTABILITY OF THE WORK TABLE AND POSSIBLE LOSS OF LOAD.**

**READ, STUDY AND UNDERSTAND THE OPERATING MANUAL PACKED WITH THIS WORK TABLE BEFORE OPERATING.**

**FAILURE TO HEED THESE WARNINGS MAY RESULT IN LOSS OF LOAD, DAMAGE TO THE WORK TABLE, AND/OR FAILURE RESULTING IN PROPERTY DAMAGE, PERSONAL OR FATAL INJURY.**

## ASSEMBLY INSTRUCTIONS

1. Take the side cover near your bead blast pedal off your tire changer and disconnect the air supply going to your machine.
2. If your tire changer does not have pre-drilled holes you will have to drill 5 holes into the front, right side of your tire changer using the provided drill template.
3. Connect the lift to the tire changer using the 4 M6 x 20 hex head bolts, lock washers and hex nuts.
4. Connect the provided air tubing to the control valve and run the other end thru the 5th hole drilled. See fig. 1.



5. Make sure the air is not connected to your machine and that there is no pressure left in the tank. Splice the air line that is coming from the center of the rear foot pedal and then reconnect them using the provided "T" fitting. See fig. 2 and fig. 3.

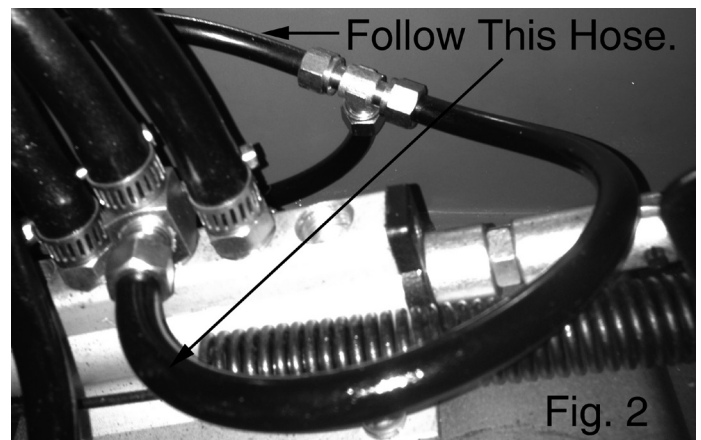


Fig. 3



6. Route the line coming from the lift to the "T" fitting making sure to keep clear of all moving parts. Connect the line to the middle outlet on the "T" fitting.

## OPERATING INSTRUCTIONS



### CAUTION!

Keep hands or feet away from the hinge mechanism of the Tire lift.

1. Make sure the lift is in the lowest position.
2. Roll the tire onto the Lift.
3. Raise the Tire to the desired height using the Raising / Lowering Valve.
4. Mount the tire as needed.
5. Lower the Lift out of the way of any moving parts on the balancer or equipment before operating the equipment.

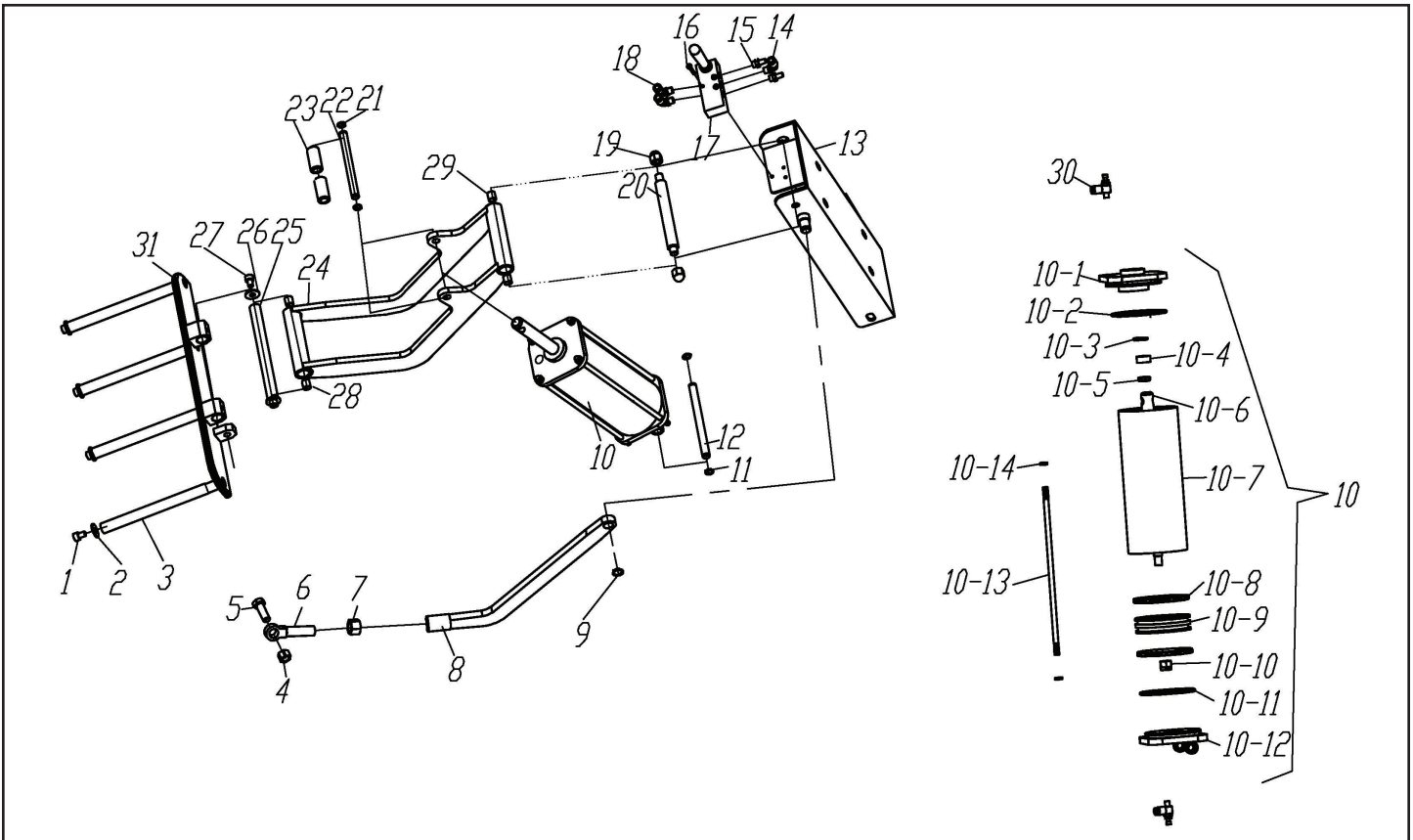
### Cleaning

1. Keep the Tire Lift clean and free of debris and dirt.
2. All exposed machine surfaces of the Tire Lift should be brushed clean and wiped with WD-40 or equivalent.
3. The Tire lift should always be stored with the Wheel Lift Assembly in the fully lowered position.

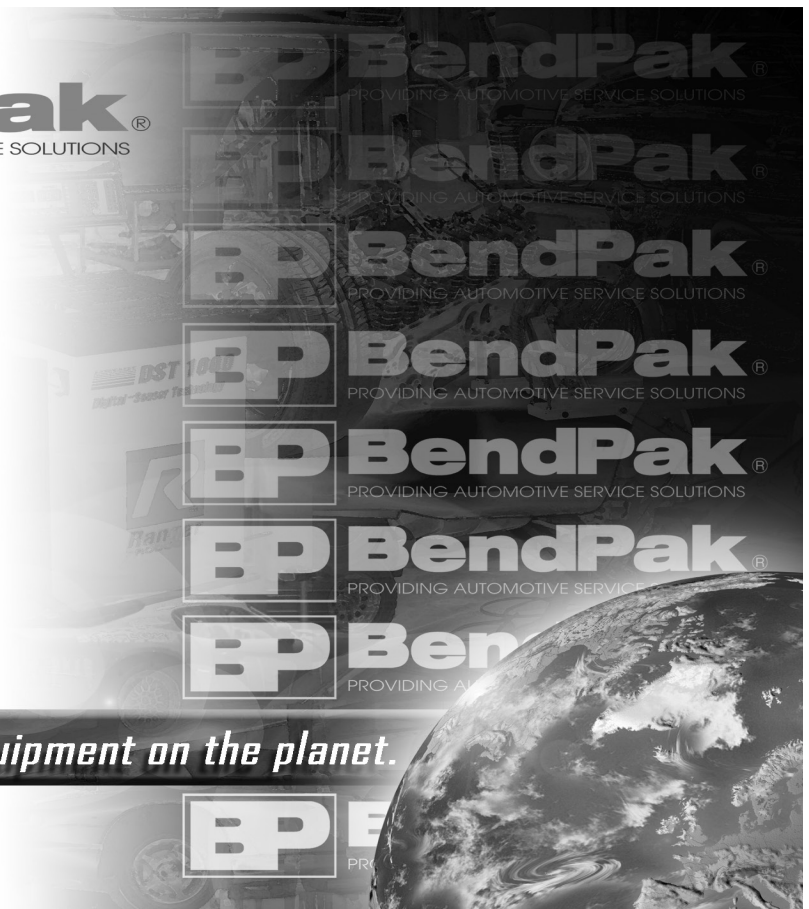
## SPECIFICATIONS

Maximum Capacity	150 lbs.
Maximum Saddle Height	28"
Minimum Saddle Height	2"
Saddle Length	17-1/2"
Saddle Width	11-1/2"
Shipping Weight	45 lbs.

# PARTS BREAKDOWN



Item #	Description	Qty.	Item #	Description	Qty.
1	M8 x 12 SHCS	4	24	Lift Branch Arm Weldment	1
2	Spacer	4	25	Tire Support Connect Shaft	1
3	Tire Support Rod	4	26	Spacer	2
4	M12 Hex Nut	1	27	M8 x 12 SHCS	2
5	Lift Balancing Bracket Shaft	1	28	Bearing B1820	2
6	Lift Balancing Bracket Lever Connector	1	29	Bearing B1820	2
7	M16 Hex Nut	1	30	Adjustable connector	2
8	Lift Balancing Rod Weldment	1	31	Tire Support Bracket	1
9	Snap Ring $\phi$ 16	1	10-1	Cylinder Front Flange	1
10	Lift Cylinder	1	10-2	O-Ring 94 x 3.15	1
11	Snap Ring $\phi$ 12	2	10-3	O-Ring 25 x 3.1	1
12	Cylinder Lever Pivot Pin	1	10-4	Bearing B2010	1
13	Lift Bracket Channel	1	10-5	Y-Ring 20 x 12 x 5.5	1
14	Quick union G1/8" $\phi$ 6 90°	2	10-6	Cylinder Rod	1
15	Silencer G1/8"	2	10-7	Cylinder Tube	1
16	M4 x 25 Pan Head Screw	3	10-8	Y ring $\phi$ 94 x 84 x 6	2
17	Two-five Air Control Valve	1	10-9	Cylinder Piston	1
18	Quick union G1/8" $\phi$ 8 90°	1	10-10	M12 Lock Nut	1
19	M12 Acorn nut	2	10-11	O-Ring 94 x 3.15	1
20	Lift Arm Shaft	1	10-12	Cylinder Base Flange	1
21	Snap Ring $\phi$ 12	2	10-13	Cylinder Double Head Bolt	4
22	Cylinder Pivot Pin	1	10-14	M8 Hex Nut	8
23	Cylinder Lever Pivot Pin Bushing	2			



*The best automotive service equipment on the planet.*

**For Parts Or Service  
Contact:**

**BendPak Inc. / Ranger Products  
1645 Lemonwood Dr.  
Santa Paula, CA. 93060**

**Tel: 1-805-933-9970  
Toll Free: 1-800-253-2363  
Fax: 1-805-933-9160**

**[www.rangerproducts.com](http://www.rangerproducts.com)**

