

RBJ25000

babco

4-Post Bridge Jacks

SKU# 5175033

25,000-Lb. Capacity, Rolling Bridge Jack

Questions? Contact Babco's Sales Team

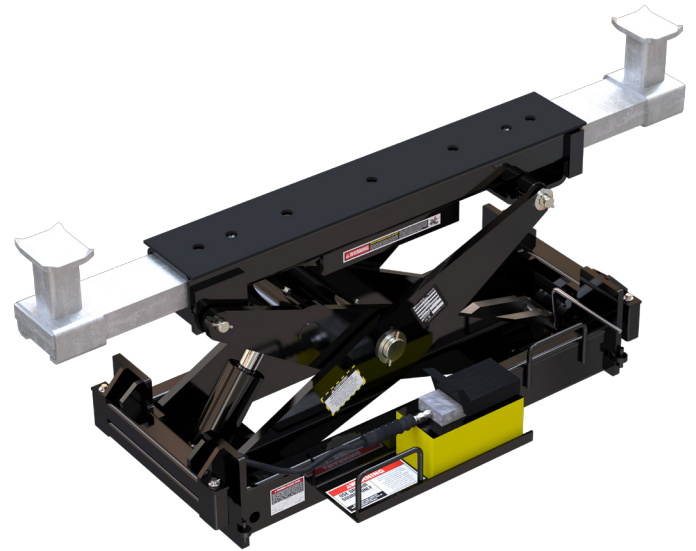
info@babco.ca | 1-800-661-5313

Heavy-Duty Bridge Jack

This is it. Our most powerful rolling bridge jack ever. 25,000 lbs. of muscle meant to service some of the biggest commercial fleets on earth. Use this jack on the 40,000-lb. capacity HDS40 truck lift to perform wheel service on almost any heavy-duty vehicle on wheels.

Bridge Jack Series

SKU#	Model	Description
5175988	RBJ4500	4,500-lb Capacity
5175987	RBJ6000	6,000-lb Capacity
5175986	RBJ7000	7,000-lb Capacity
5175985	RBJ9000	9,000-lb Capacity
5175031	RBJ15000	15,000-lb Capacity
5175032	RBJ18000	18,000-lb Capacity
5175033	RBJ25000	25,000-lb Capacity



Features

- 25,000-lb. lifting capacity
- Standard rubber
- Optional steel lifting pads available
- High-pressure hydraulic power unit
- Optional air-line kit
- Stackable adapters

Specifications

Lifting Capacity	25,000 lbs. (11,340 kg)
Overall Width	44.9" (1,140 mm)
Arm Reach	39.5" - 63.5" (1,003 mm - 1,614 mm)
Top Adapter Reach	8.2" - 39.7" (208 mm - 1,008 mm)
Wheel Assembly Depth	19.6" (499 mm)
Overall Depth	24.4" (621 mm)
Shipping Weight	802 lbs. (363 kg)
Shipping Dimensions	36" x 22" x 21" (914 mm x 559 mm x 533 mm)

Commercial-grade air-hydraulic pump requires 125 psi and 10 - 20 CFM.