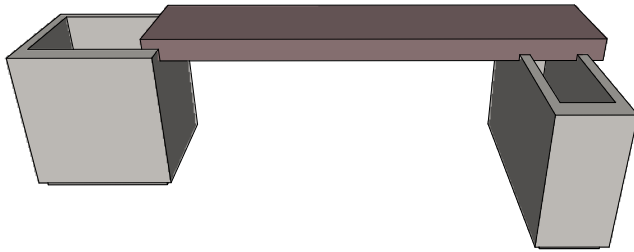


PARK AVENUE

Planter + Bench

Instructional Drawings

May 2012 | CHENG Concrete



Park Avenue

Skillset: Intermediate

Forming Time: 6 Hours

Weight: ~500 pounds

TOOLS NEEDED

Form Construction:

- Safety Glasses
- Tape Measure
- Table Saw
- Cordless Screw Gun
- Countersink Bit + Phillips Bit
- Caulking Gun + 100% Silicone
- Spray Adhesive
- Blue Painters Tape
- Clear Packing Tape
- Wire Snips
- Metal Saw or Bolt Cutters

Concrete Mixing:

- Particle Dust Mask / Respirator
- Rubber Gloves
- Concrete Mixer
- Wheelbarrow
- Vibrating Table

De-Molding:

- Cordless Screw Gun
- Small Pry Bar

Finishing:

- Wood Shims
- 5" Variable Speed Polisher
- Hand Held Diamond Polishing Pad
- CHENG Acrylic Slurry
- CHENG Sealer
- CHENG Wax

MATERIALS NEEDED

Concrete:

600 pounds - 5000 psi. Concrete Mix
(6) cu. ft. CHENG Pro-Formula Outdoor

Form:

(3 sheets) - 4x8' 3/4" Melamine
(3 sheets) - 2'x8'x2" Rigid Foam
(1 sheet) - 2'x8'x1-1/2" Rigid Foam

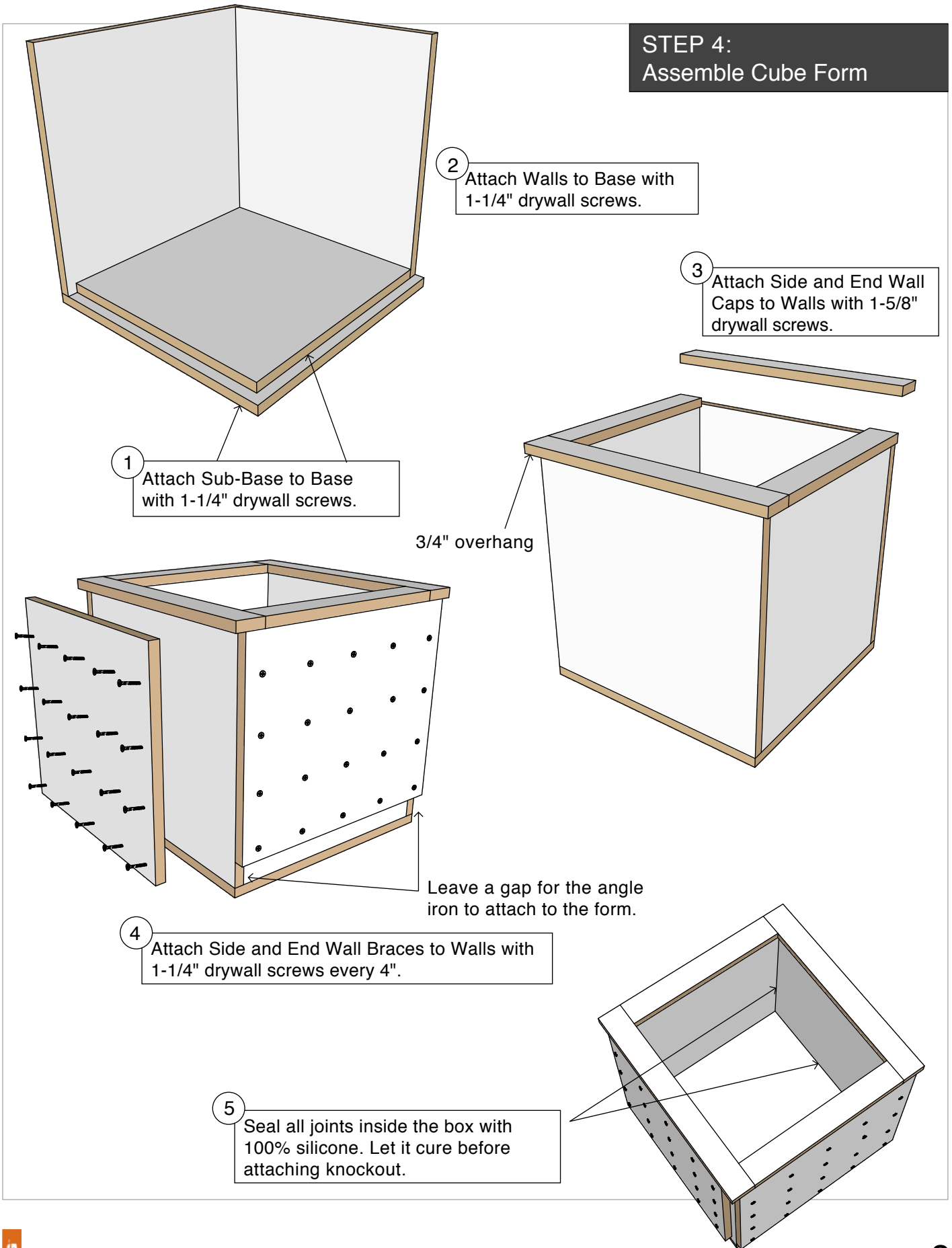
Reinforcing:

(1) - 10"x42" 4x4" welded wire mesh
(1-1/2 lbs.) - Glass Reinforcing Fiber
(3) - 6' sections 3/8" Rebar

Hardware + Supplies:

2' length of 1-1/2" PVC pipe
1-1/4" drywall screws
1-5/8" drywall screws

STEP 4: Assemble Cube Form

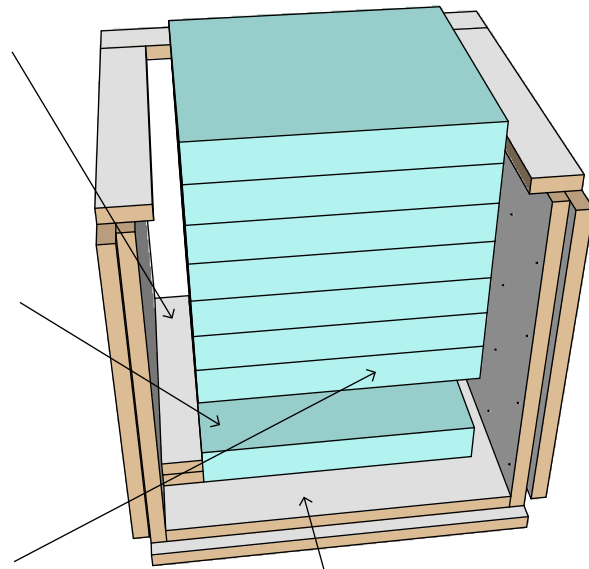


STEP 5: Place Knockouts in Form

1 Glue or screw the wood knockout in place. Tape over any exposed wood edges, and then adhere to the base board with silicone.

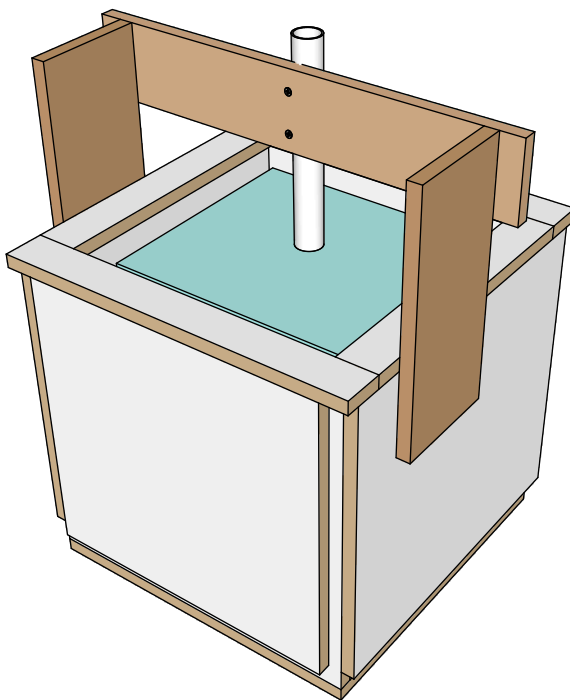
2 Installing one section of the foam knockout first will allow you to run a bead of silicone around the knockout and give a good seam on the finished concrete.

3 The remaining sections of the knockout are ready for installation after they've been glued together with spray adhesive. Wrapping clear tape around them (like a bow on a present) will help keep them from separating during the pour.



Front wall is hidden for illustrative purposes.

STEP 6: Install Knockout Bridge



The bridge will accomplish two things. First, holds the foam knockout in place. Second, the PVC will create a drain in the bottom of the planter (it will be cut off flush with the bottom after casting).

Construct the wood bridge from scrap plywood. Screw it to the form with 1-1/2" drywall screws.

To hold the PVC pipe in place, drill through the plywood support and screw into the PVC pipe. The pipe should be flush with the foam and sealed with a bead of silicone.

This step is optional, however it will help hold the knockout in place and allow the planters to drain if they're being use outdoors.