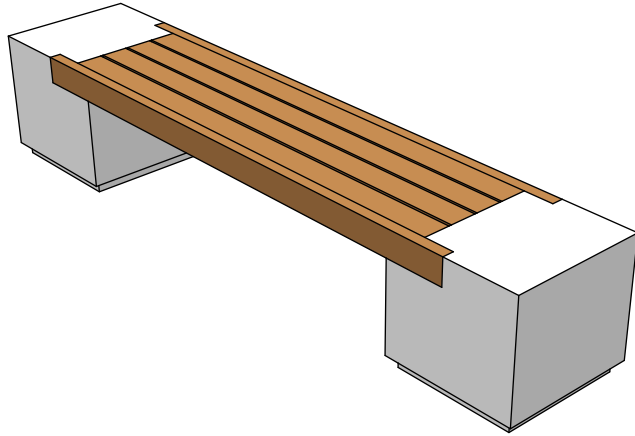


RHOMBA BENCH

a Fu-Tung Cheng Signature Design

NeoMix® D-FRC Project
Instructional Drawings

April 2012 | **CHENG Concrete**



Rhomba Bench

Skillset: Advanced

Materials Cost: \$300 - 450

Time: 3 hours forming
3 hours casting
2 hours finishing
2 hours wood construction

Weight: 120 lbs concrete
43 lbs wood

TOOLS NEEDED

Form Construction:

- Safety Glasses
- Tape Measure
- Table Saw
- Cordless Screw Gun
- Countersink Bit + Phillips Bit
- Chip Brush for Contact Adhesive
- Caulking Gun + 100% Silicone
- Silicone Shaping Tools (helpful)

Concrete Mixing:

- Particle Dust Mask / Respirator
- Rubber Gloves
- 7 Gallon Mixing Bucket
- Paddle Mixer
- Trowel

De-Molding:

- Cordless Screw Gun
- Small Pry Bar
- Scrap Insulating Foam

Finishing:

- 5" Variable Speed Polisher
- Hand Held Diamond Polishing Pad
- CHENG Acrylic Slurry
- CHENG Sealer
- CHENG Wax

MATERIALS NEEDED

Concrete:

- (3) 50lb Bags D-FRC Casting Blend
- (.6) Gallons D-FRC Activator
- (2.4) Gallons Water

Form:

- (1) 49"x97" sheet of 3/4" Melamine
- (1/2 sheet) 4'x8' - 1/16" Laminate

Lumber:

- (6) 2x4"s - 8' Length
- (2) 2x2"s - 6' Length

Hardware + Supplies:

- High Strength Contact Adhesive
- (30) 1" Drywall Screws
- (30) 1-1/2" Drywall Screws
- (120) 1-3/4" Drywall Screws

STEP 11:
De-Mold

