

# Installation Instructions

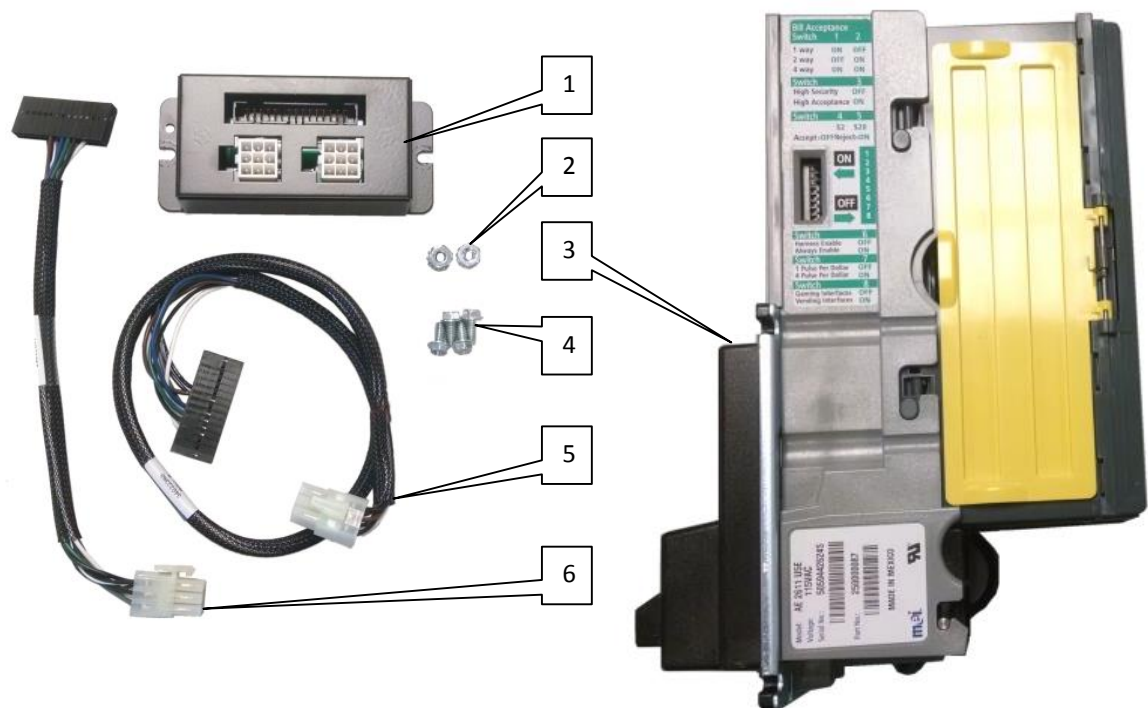
## Dual Bill Acceptor – NGX INFINITY Kit #26679721, 26679722

These instructions outline the procedures to add a second Bill Acceptor to an NGX Infinity Jukebox.

**Tools Required:** #1 Philips Screw driver, 1/4", 11/32" Nut Driver

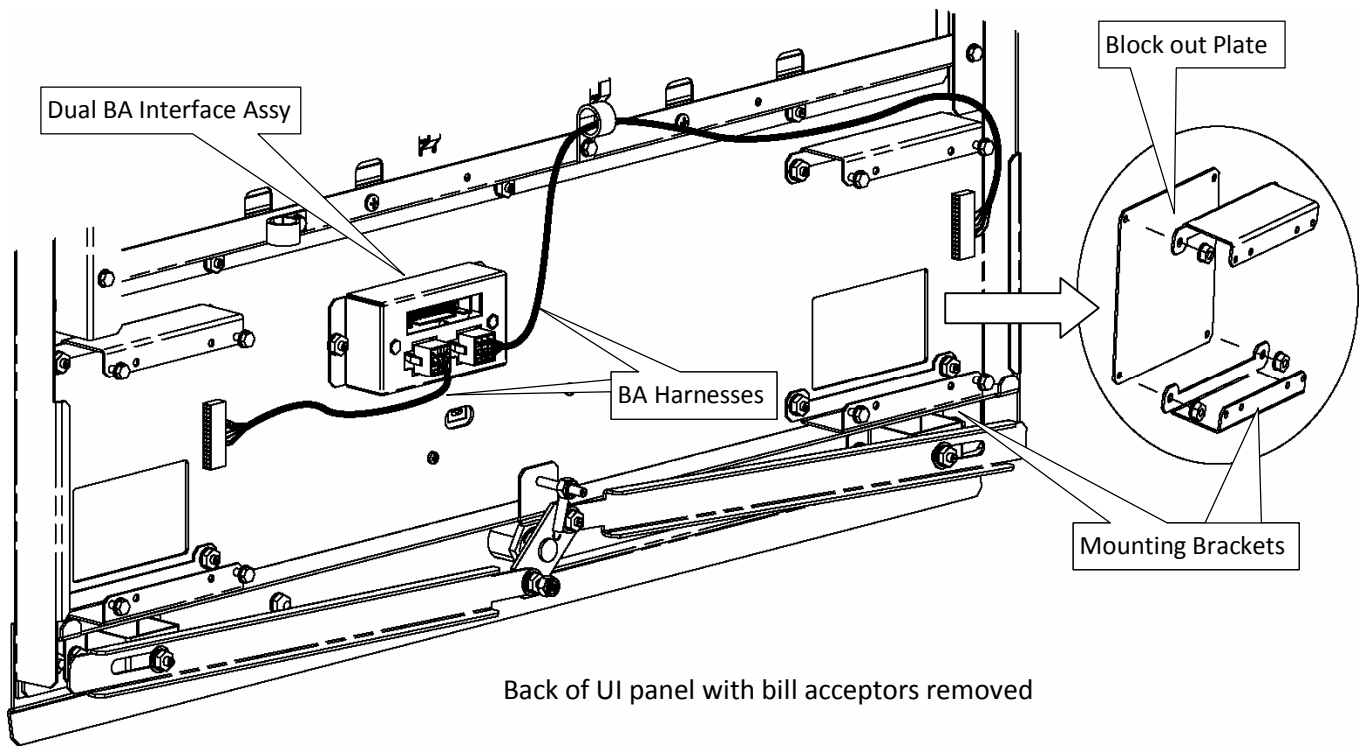
**Parts Included with this Kit:**

Item #	Kit Number		Description	Quan
	26679721	26679722		
1	34100002	34100002	Dual BA Interface Assembly	1
2	87843000	87843000	#8-32 KEPS Hex Nut	2
3	---	22135603	Bill Acceptor –MEI	1
4	80443006	80443006	#8-32 x 3/8" HWH Screw	4
5	34022368	34022368	Harness – Dual BA 20"	1
6	34022367	34022367	Harness – Dual BA	1



1. Turn the jukebox power off and unplug the power cord from the wall outlet.
2. Open the jukebox door.
3. Disconnect the wire harness (30 pin housing) from the existing bill acceptor.
4. Carefully plug the 30 pin housing and wire harness into the Dual BA Interface Assembly (item 1). Be sure the keys in the housing are aligned with the missing pins on the connector.





Back of UI panel with bill acceptors removed

5. Install the Dual BA Interface Assembly (item 1) using (2) #8-32 nuts (item 2) as shown above.
6. Remove (4) #8-32 nuts freeing the two mounting brackets and block out plate from the left hand bill acceptor position. Discard the block out plate and reinstall the two mounting brackets.
7. Connect the short Bill Acceptor Harness (item 6) from the Dual BA Interface Assembly to the existing bill acceptor.
8. Install the second bill acceptor (item 3 in the -22 kit) using (4) #8-32 x 3/8" screws (item 4).
9. Connect the longer Bill Acceptor Harness (item 5) from the Dual BA Interface Assembly to the new bill acceptor.
10. For MEI bill acceptors, verify the switches on the side of the new bill acceptor are configured as follows:
 

Switch 1, 2, 3, 6 ON    Switch 4, 5, 7, 8 OFF
11. Power up the jukebox and using the Credit Devices Test screen in Service Mode, test for proper operation of both bill acceptors.

