



VERTICAL PARTNERS WEST, LLC

SPECIFICATIONS

Part#: 551106

Description:

4-Cell 2500mAh 4.8V PTC Cube NiMH



Nickel Metal Hydride

ELECTRICAL SPECIFICATIONS

Nominal Voltage	4.8V
Nominal Capacity	2500mAh
Resistance	$\leq 100\text{ m}\Omega$

DISCHARGE SPECIFICATIONS

Maximum Continuous Discharge Current	5.5A
PTC Trip Current	10.5A
Minimum Voltage	4V

CHARGE SPECIFICATIONS

Recommended Charge Current	(0.1C) 0.25A
Trickle Charge Current	(0.05C) 0.125A
Maximum Charge Current	1C (2.5A)
Maximum Voltage	6V

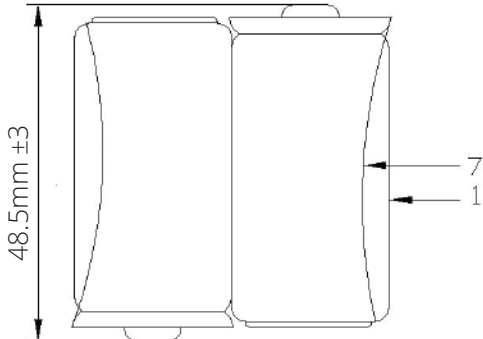
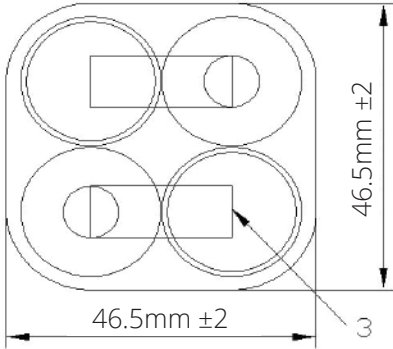
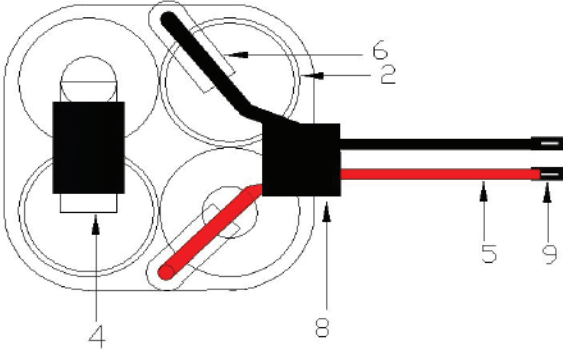
MECHANICAL SPECIFICATIONS

Dimensions	1.8 x 1.8 x 1.9 in 46.5 x 46.5 x 48.5 mm
Weight	207g (7.3 oz)
Terminal Type	N/A - No Plug
Case Material	Shrink Wrap
Cell Type	Sub-C

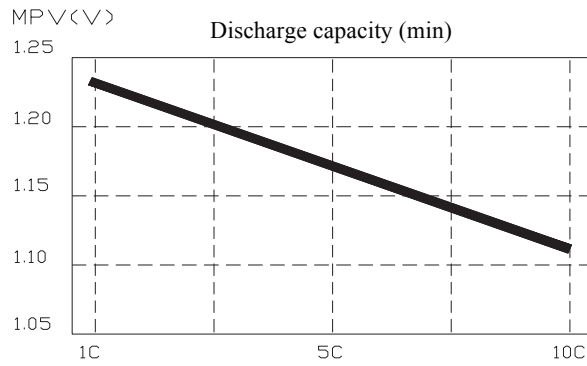
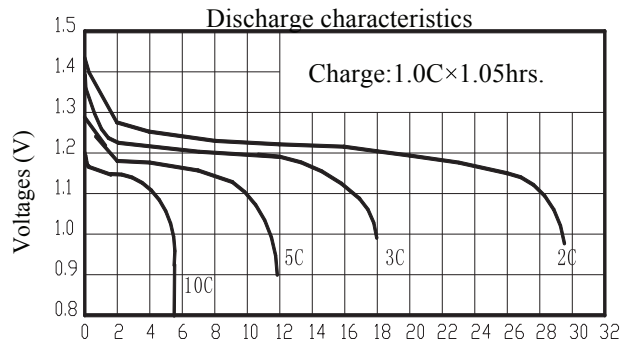
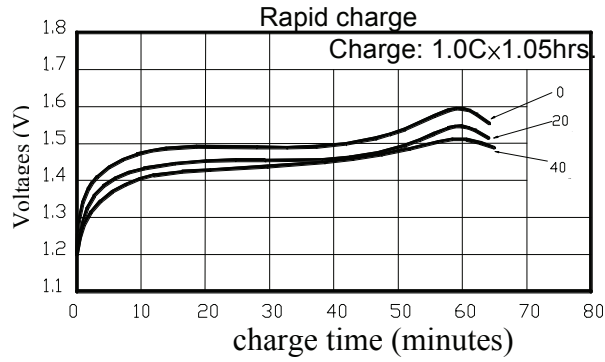
TEMPERATURE SPECIFICATIONS

Discharge Temperature	-20 ~ 50 °C
Charge Temperature	0 ~ 45 °C
Storage Temperature	-20 ~ 40 °C

DIMENSIONAL SPECIFICATIONS



PERFORMANCE CHARACTERISTICS



Ni-MH
Charge retention curves of Ni-MH cylindrical cell At various storage temperature

