

**To Customers and Users utilizing Murphy AT Series Tachometers:**

Murphy is pleased to announce the transition to our new and improved AT Series tachometer. This tachometer series is a drop in replacement to our previous tachometers. However, there are a few features we would like to cover which differ from the previous version for your awareness.

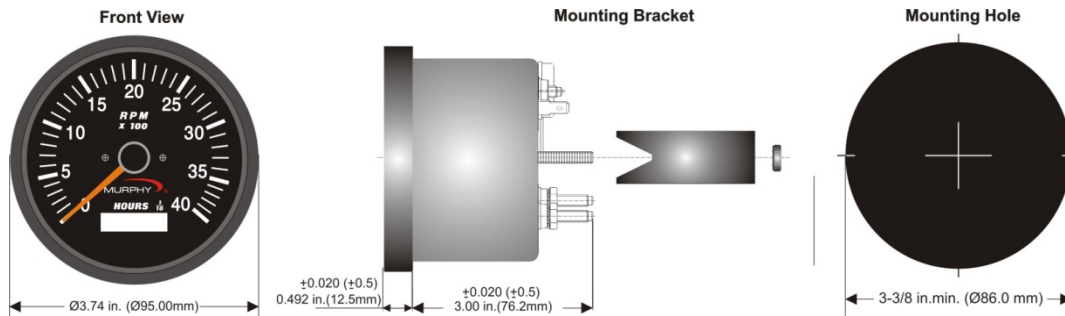


The new features which differ are as follows:

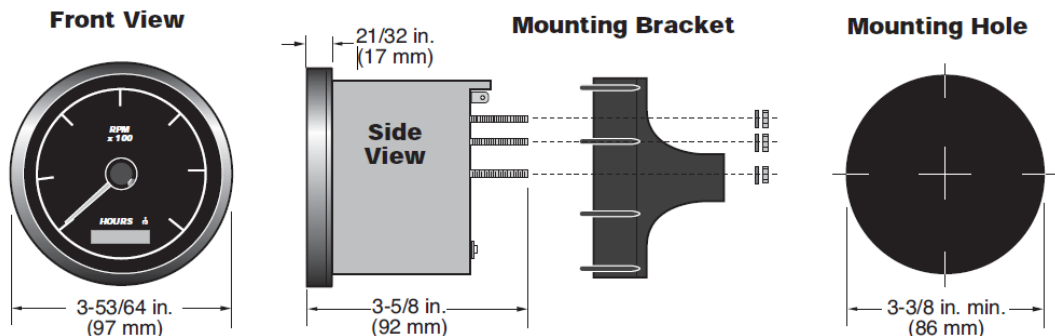
- Improved quality.
- 3000RPM dials transitioning to 4000RPM dials.
- Electrical studs are in a new location on the rear of the tachometer.
- New metal mounting clamp.
- New Calibration Method.
- 12 & 24VDC versions are now included into one model number.

**Mounting Dimensions:**

**New Version:**

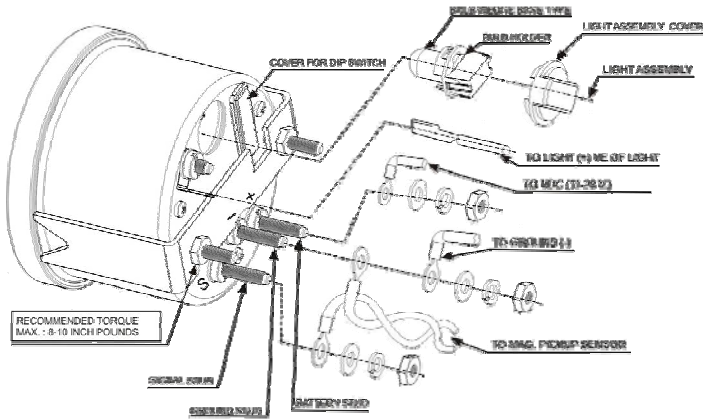


**Old Version:**

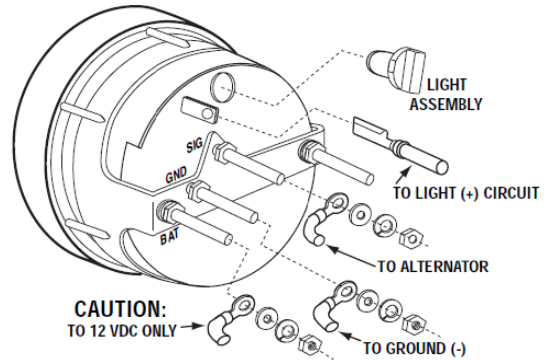


**Installation Diagram:**

**New Version:**

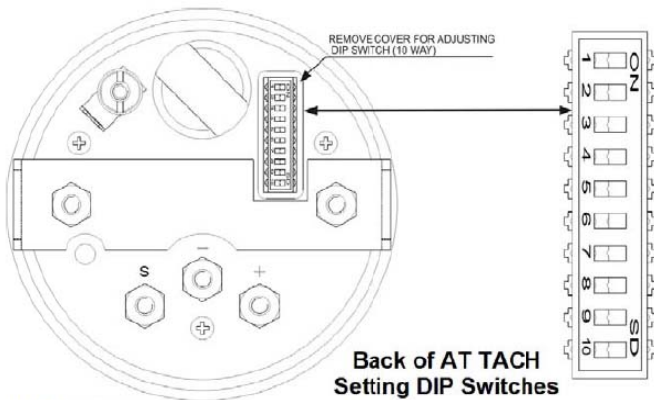


**Old Version:**

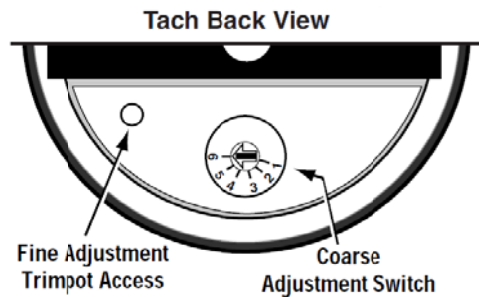


**Calibration Method:**

**New Version:**



**Old Version:**





**New Version vs Old Version Part/Model Numbers:**

New Version Part #	New Version Model #	Old Version Model #	Old Version Part #
20700134	ATA-40	ATA-30-12	20700175
		ATA-30-24	20700198
20700135	ATA-40-A	ATA-30-12-A	20700191
		ATA-30-24-A	20700199
2070136	ATA-40-B	ATA-30-12-B	20700190
		ATA-30-24-B	20700200
207000137	ATHA-40	ATHA-30-12	20700184
		ATHA-30-24	20700206
20700141	ATHA-40-A	ATHA-30-12-A	20700183
		ATHA-30-24-A	20700207
		ATHA-40-12-A	20700221
20700139	ATHA-40-B	ATHA-30-12-B	20700182
20700140	ATHA-40-C	ATHA-30-12-C	20700181
20700142	ATHS-40	ATHS-30-12	20700180
		ATHS-30-24	20700210
20700143	ATHS-40-A	ATHS-30-12-A	20700179
		ATHS-30-24-A	20700211
20700225	ATHS-40-B	ATHS-30-12-B	20700178
		ATHS-30-24-B	20700212
20700226	ATHS-40-C	ATHS-30-12-C	20700177
		ATHS-30-24-C	20700213
20700227	ATS-40	ATS-30-12	20700188
		ATS-30-24	20700202
20700228	ATS-40-A	ATS-30-12-A	20700187
		ATS-30-24-A	20700203
20700229	ATS-40-B	ATS-30-12-B	20700186
		ATS-30-24-B	20700204
20700230	ATS-40-C	ATS-30-12-C	20700185