

INSTALLATION INSTRUCTIONS

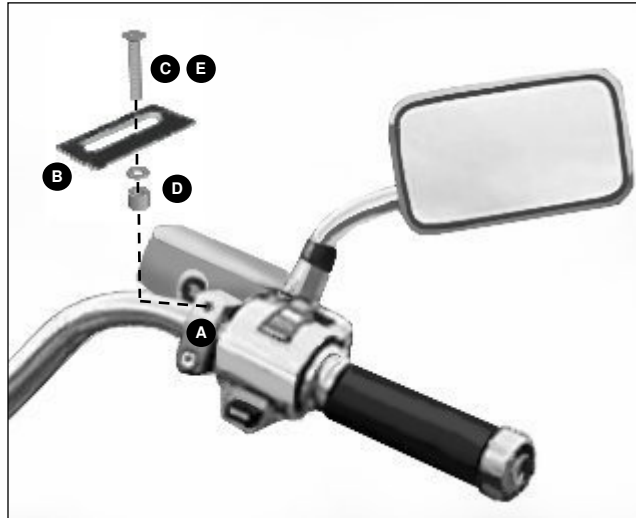
! IMPORTANT:

Read the instructions in full prior to installation.

NOTE: Installation pictured is for general reference; your particular motorcycle's hardware or requirements may vary. Carefully verify provided screws for compatibility. Substitutions and/or modifications to provided hardware may be required.

INCLUDED IN THIS KIT:

- HEAT CONTROLLER BRACKET **B**
- 1/4-20 x 1-3/4 IN SCREW **C**
- M6 x 45MM SCREW **E**
- 1/2 x 1/4 x 5/8" ALUMINUM SPACER **D**
- 5/8 x 21/64 SS SPACER **D**



STEP 1: Remove one of the OEM screws from the handlebar control assembly clamp **A**

STEP 2: Install the Heat Controller Bracket **B** using screw **C** or **E** and spacers **D** as shown above.

NOTE: Two common screw sizes and thread patterns are supplied (SAE and METRIC). Carefully compare to your OEM screw and select the proper screw. One or both spacers may be used depending on the particular application and preference.

STEP 3: Carefully tighten the screw while sliding the bracket into optimal position.

STEP 4: Attach the Heat Controller (not shown) to the bracket's Velcro surface and neatly route the Heat Controller wires.