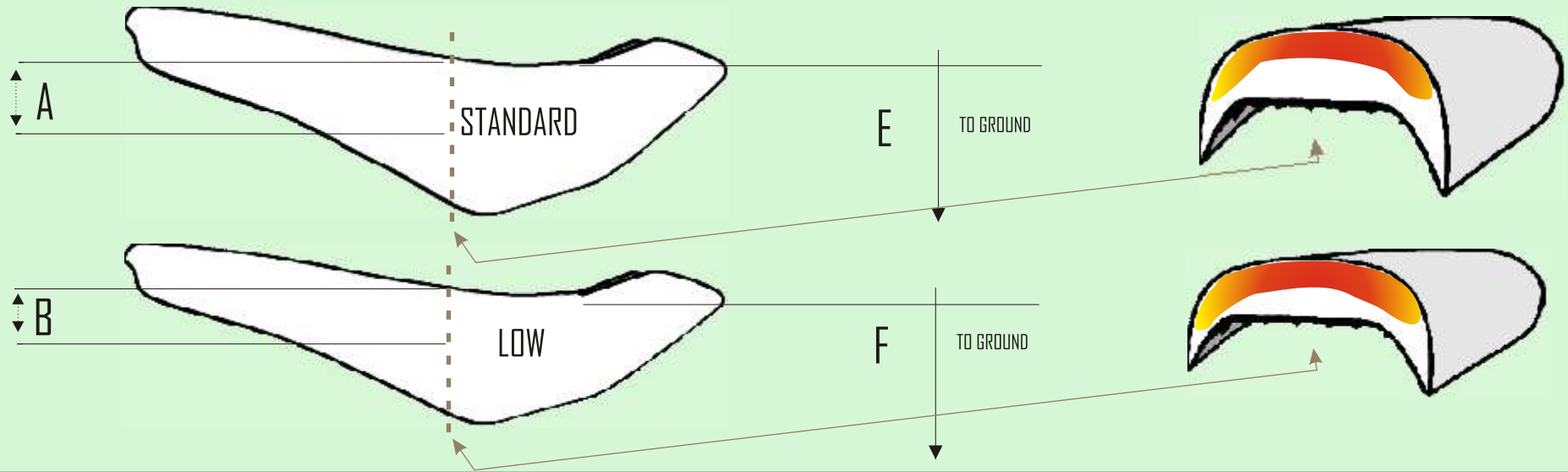
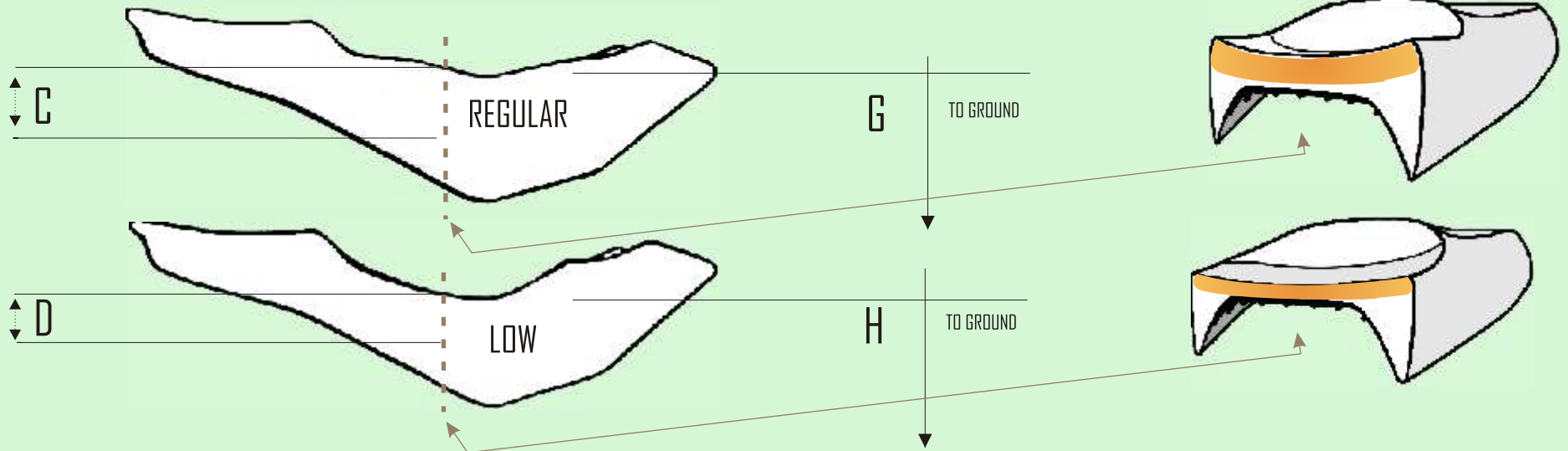


# SEAT FOAM COMPARISON CHART

## DUCATI HYPERMOTARD STOCK SEAT



## SARGENT WORLD SPORT SEAT



**APPROXIMATE FOAM THICKNESS IN SEATING AREA:**

- A. 2.73" (SEAT THICKNESS)
- B. 1.943" (SEAT THICKNESS)
- C. 1.418" (SEAT THICKNESS)
- D. 0.573" (SEAT THICKNESS)

**SEAT HEIGHT (TO GROUND)**

- E. 33.267"
- F. 32.48"
- G. 33.25"
- H. 32.25"

**CROSS SECTION OF SEAT FOAM  
PRESSURE CHART**



\*ACTUAL SEAT TO GROUND DIMENSIONS MAY VARY DEPENDING ON RIDER WEIGHT & ANATOMY AND BIKE SUSPENSION SETTINGS.

