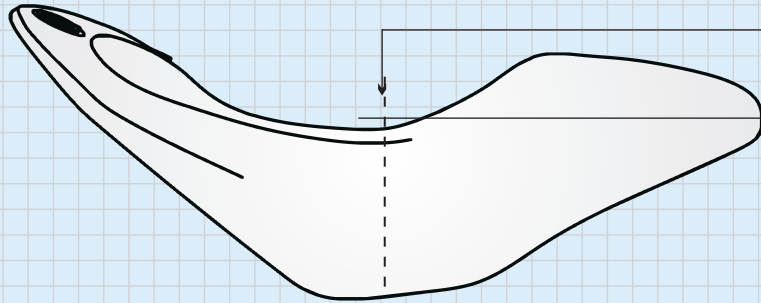


DUCATI MULTISTRADA FOAM COMPARISON CHART



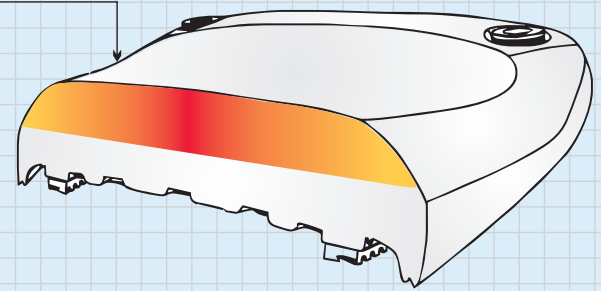
DUCATI MULTISTRADA STOCK SEAT



SIDE VIEW

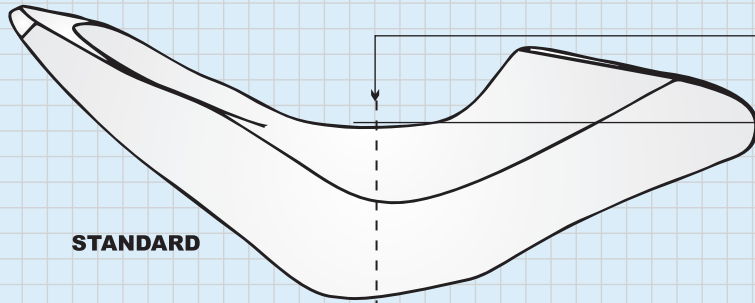
SEAT HEIGHT
 A. STANDARD.....33.5"
 B. LOW.....32.5"

TO GROUND



CROSS SECTION

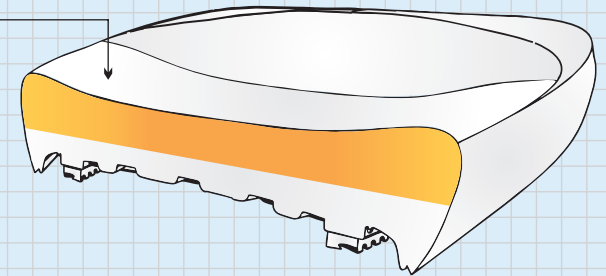
SARGENT WORLD SPORT SEAT FOR DUCATI MULTISTRADA



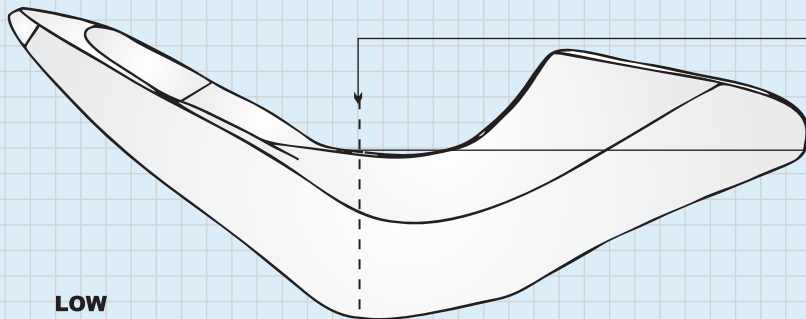
STANDARD

SEAT HEIGHT
 A. STANDARD.....33"

TO GROUND



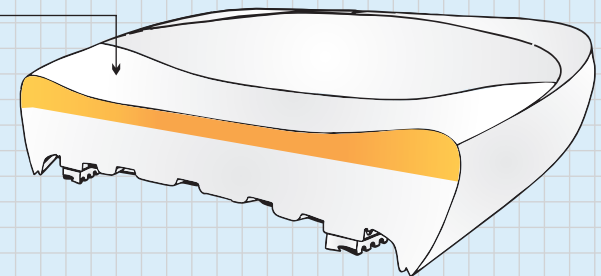
CROSS SECTION



LOW

SEAT HEIGHT
 B. LOW.....32.125"

TO GROUND



SEAT HEIGHT TO GROUND

STOCK HEIGHT

A. REGULAR.....33.5"
 B. LOW.....32.5"

SARGENT HEIGHT

A. REGULAR.....33"
 B. LOW.....32.125"

NOTE: Actual seat to ground reach dimensions may vary depending on rider weight, anatomy and motorcycle suspension settings.

PRESSURE CHART



LOW

HIGH

LOW