

BMW K 1200 GT BACKREST INSTALLATION GUIDE

IMPORTANT

Read ALL instructions thoroughly prior to installation and use.

Periodically inspect all bolts, connection points, and support bracket verifying that all connections remain secure and there are no signs of damage or wear. If problems are noted, discontinue use and contact the manufacturer immediately.

WARNING

This backrest is NOT designed to withstand pressures associated with rapid acceleration. Passengers should always maintain secure hold to driver or use rear grab handles under such conditions. Failure to do so could result in property damage, serious personal injury or death.

DISCLAIMER

Motorcycling is a dangerous activity that can result in serious injury or death. Please be advised that this product has NOT been tested under every conceivable condition. While every effort has been made to design a sturdy and reliable product, numerous unpredictable conditions and/or variables could occur during its use, resulting in possible property damage, personal injury or death.

By proceeding with the installation and use of this product you are waiving all legal recourse/ rights in the event of any property damage, personal injury or death contributed to by its use, and in no case will Sargent Cycle Products N.A. be held liable. If you do not agree to all terms of this disclaimer, you may return the product in its original packaging for a full refund of the purchase price (excluding shipping and handling).

Tools Required

8mm hex wrench

Installation

Included in this kit:

- Backrest
- Support bracket
- 20MM long bolts (2)
- Flat washers, (2)
- 16MM long bolts, (2)
- Lock washers, (2)

Assemble hardware.

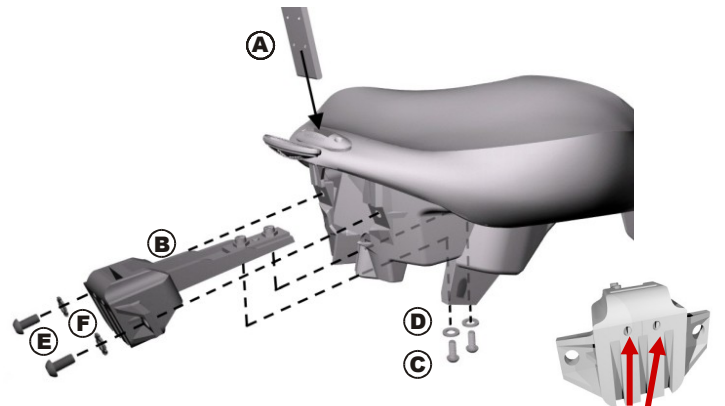
Remove seat from motorcycle.

Start bolts (E) and lock washers (F) through support bracket and into the back of the seat as shown.

Repeat using bolts (C) and washers (D) on the bottom of the seat.

Now tighten all 4 bolts.

Replace seat onto motorcycle. Lift the slot cover on the rear of the seat and insert backrest (A) into the slot until you hear a click. Now you are ready to go!



**Factory set screws,
do not adjust.**

Important

Once in use periodically inspect ALL bolts to insure they remain secure.